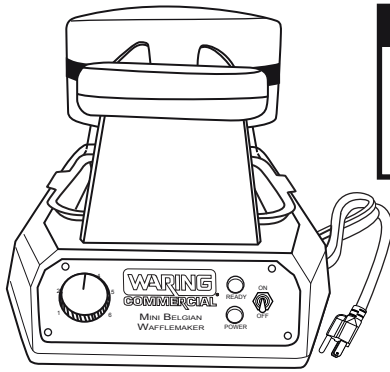


Unit Information

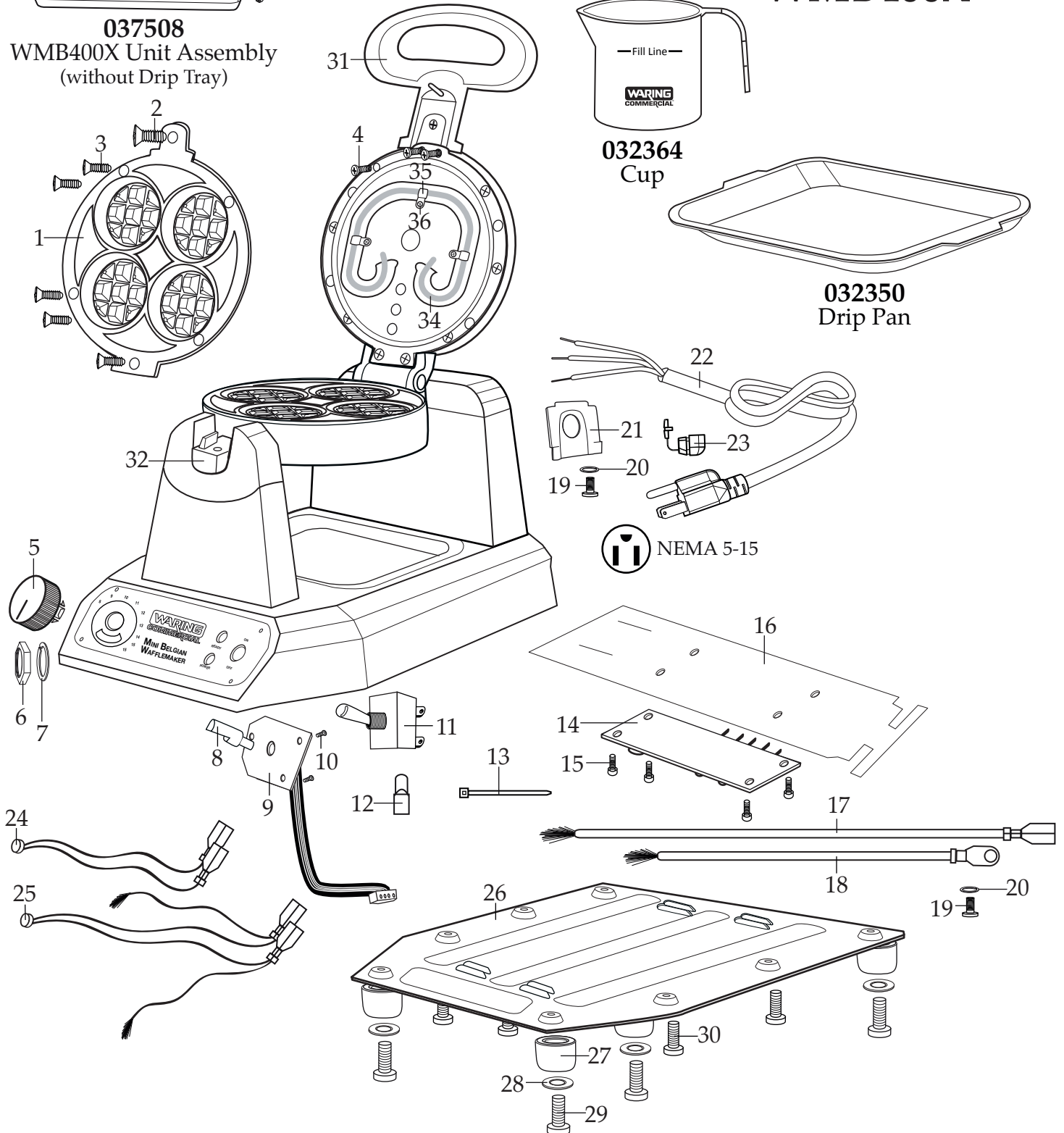
120 Volts – 60 Hz – 1200 Watts - 10 Amps
 Produce up to 100 1" thick waffles per hour
 Beep signals when unit is ready and when
 waffle is cooked

WARING COMMERCIAL®

Mini Belgian Waffle Maker with
 Replaceable Plates
WMB400X



037508
 WMB400X Unit Assembly
 (without Drip Tray)



Catalog/Model

WMB400X

Waring Factory Service Center
314 Ella T. Grasso Ave.
Torrington, CT 06790
Tele. 1-800-269-6640

Fax 860-496-9017
www.waringcommercialproducts.com

Illustration #	Part #	Description
1	037507	Mini Belgian Waffle Plate (1 top - 1 bottom)
2	037357	Screw (1 top plate - 1 bottom plate)
3	037356	Screw (5 top plate - 5 bottom plate)
4	037493	Screw (10 top inner plate - 10 bottom inner plate)
5	032352	Knob
6	016236	Hex Nut
7	032356	Washer
8	036241	Connector Pole
9	035316	Darkness Control Board (short tape)
10	032359	Screw (3 required)
11	032368	Toggle Switch
12	012409	Small Crimp Connector (4 required)
	019123	Large Crimp Connector (2 required)
13	013731	Wire Tie (7 required)
14	037490	PCB Board
15	032359	Screw (4 required)
16	030638	Power Board Shield
17	037492	15.5" Red Lead Assembly (2 required)
18	037491	8" Green Lead Assembly
19	035298	Ground Screw (2 required)
20	032751	Ground Spring Washer (2 required)
21	032371	Cord Plate
22	033494	Cord Set
23	035476	Strain Relief
24	037494	Green Light with Leads
25	037495	Red Light with Leads
26	032351	Bottom Plate
27	032353	Foot (4 required)
28	032354	Foot Washer (4 required)
29	032355	Screw (4 required)
30	032750	Bottom Plate Screw (4 required)

Illustration #	Part #	Description
31	037488	Top Handle
32	037489	Bottom Handle
33	037493	Screw (2 top handle - 2 bottom handle)
34	037502	Heating Element (1 top - 1 bottom)
35	037503	Clamp (3 top heating element - 3 bottom heating element)
36	032359 037504	Screw (3 top clamps - 3 bottom clamps) Spring Washer (3 top clamps - 3 bottom clamps)
37	032751	Spring Washer (2 top heating element - 2 bottom heating element)
38	037505	Screw (2 top heating element - 2 bottom heating element)
39	037506	Insulated Sleeve (2 top heating element - 2 bottom heating element)

