



G 5 10

LIST OF THE EXPLODED VIEWS



SHELL ASSY

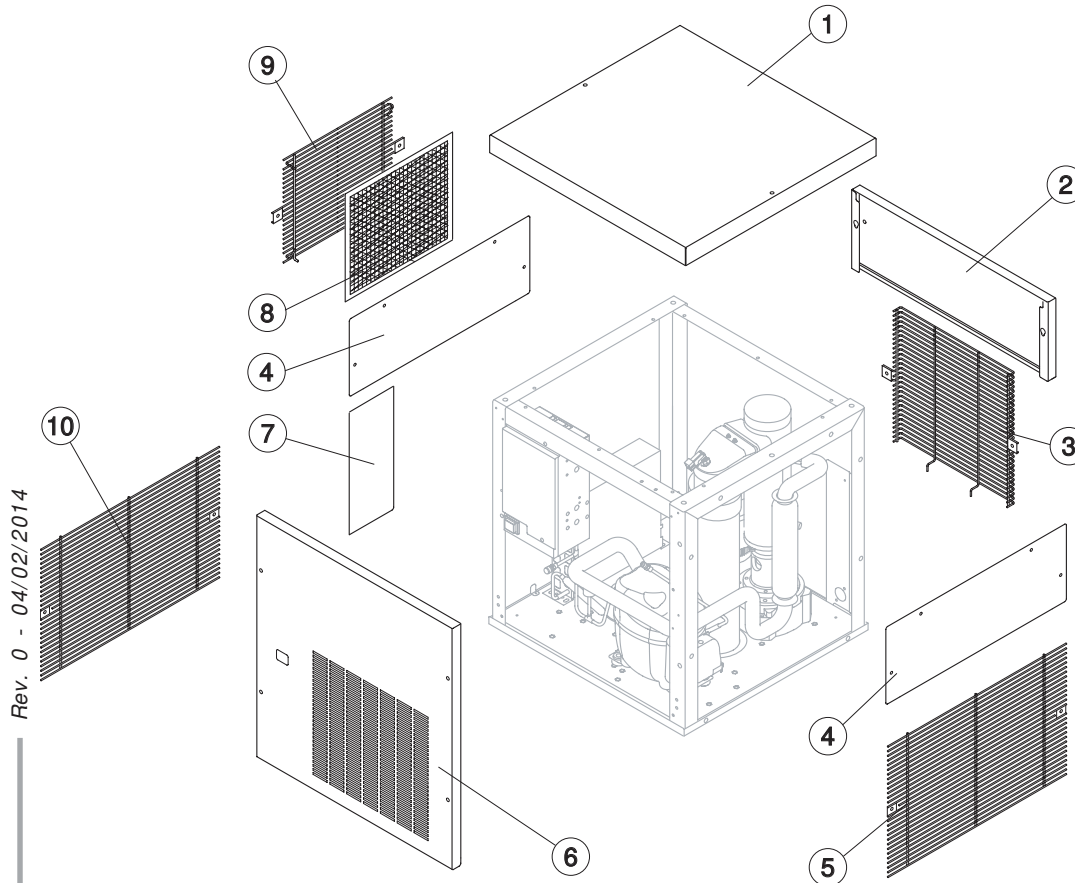
COOLING SYSTEM

EVAPORATOR

HYDRAULIC CIRCUIT

ELECTRIC PARTS

Rev. 0 - 04/02/2014



Rev. 0 - 04/02/2014

Common Parts

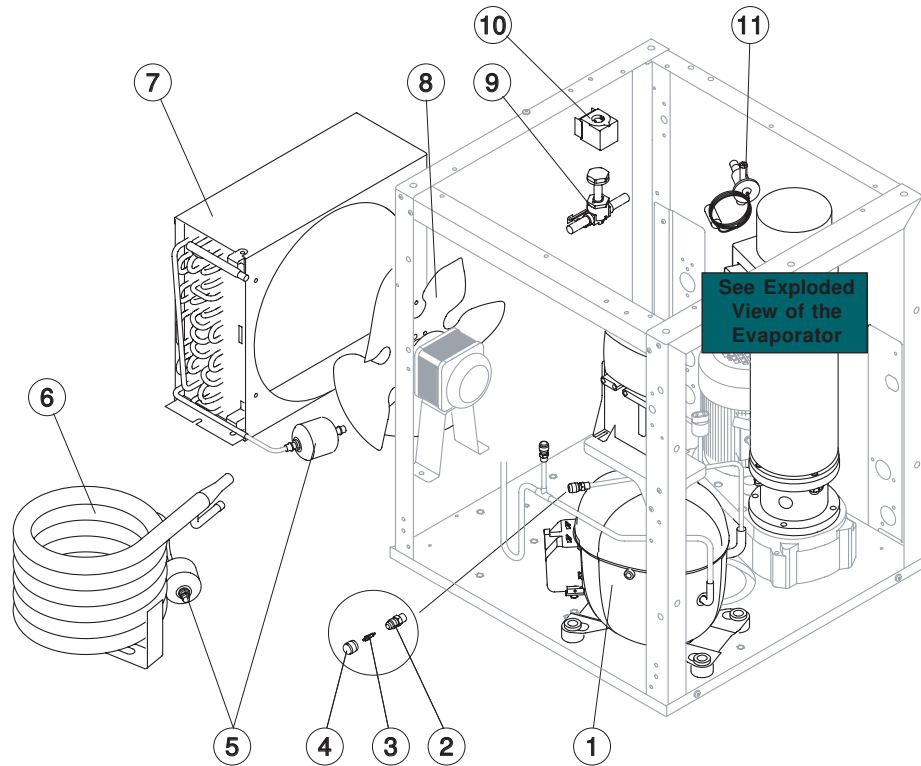
Ref.	Spare Description	Code
1	Top	221518
2	Back Panel	221513
3	Back Grill	D12091
4	Right/Left Side Panel	221515
5	Right Side Grill	D12092
6	Front Panel	221511

Parts for Air-Cooled Version Only

Ref.	Spare Description	Code
7	Lower Left Side Panel	221517
8*	Filter	18246
9	Left Side Grill	D12093

Parts for Water-Cooled Version Only

Ref.	Spare Description	Code
10	Left Side Grill	D12092



Common Parts

Ref.	Spare Description	Code
1	Compressor	See Table
2	Vacuum-Charge Valve Body	14007
3*	Vacuum-Charge Valve Device	14005
4*	Vacuum-Charge Valve Plug	14006
5*	Solid Core Drier	14084
9	Hot Gas Valve Body	20409
10	Hot Gas Valve Coil	23091
11	Expansion Valve	201004

Parts for Air-Cooled Version Only

Ref.	Spare Description	Code
7	Air Condenser	20675
8	Sucking Fan	20407

Parts for Water-Cooled Version Only

Ref.	Spare Description	Code
6	Water Condenser	14678

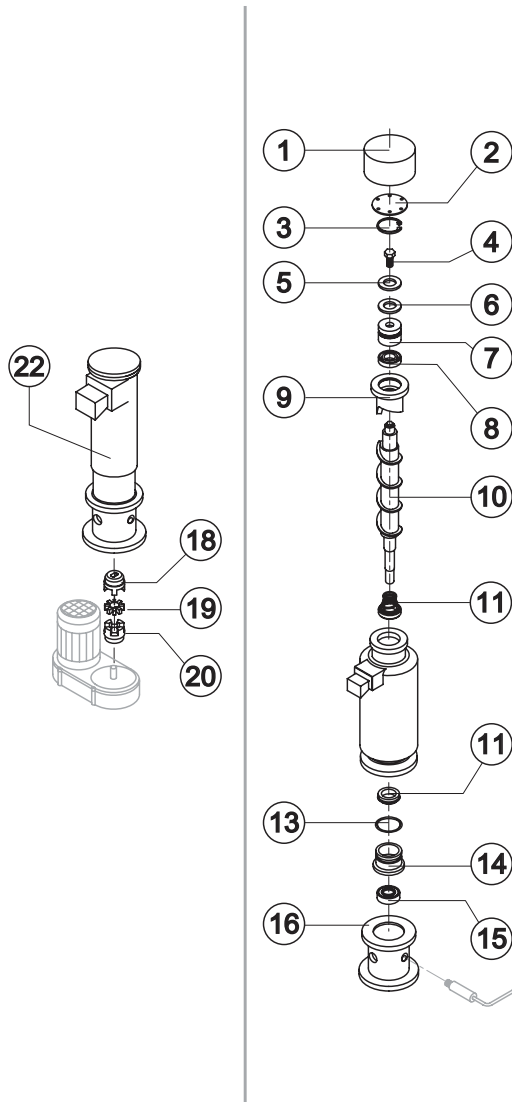
Rif. 1 - Compressor

Voltage	Code
T11	23984
T12	23982



G 5 10

EVAPORATOR



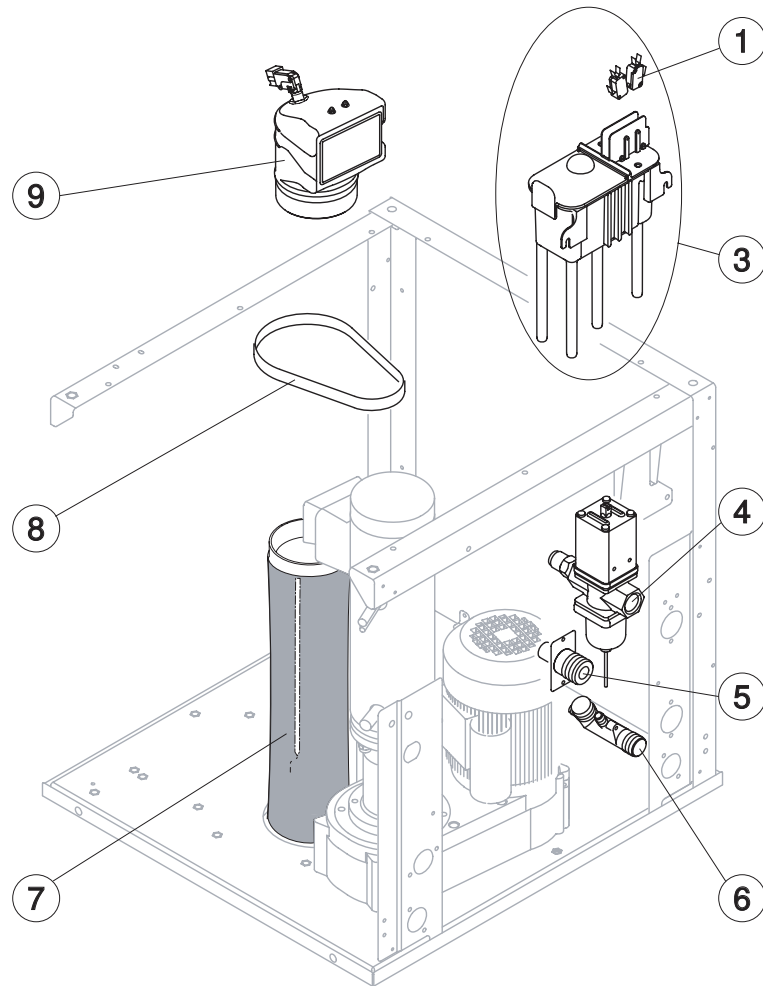
Rif.	Descrizione Ricambio	Codice
1	Insulating Cap	18165
2	Closing Disk	22670
3	Seeger	20116
4	Stainless Steel Screw	20664
5	Shimming Disk	22829
6	Self-Lubricating Disk	20639
7	Stainless Steel Thrust Bearing	20685
8	OR Gasket 4137	20689
9	Ice Breaker	20781
10	Auger	20780
11	Ceramic Seal	20643
13	OR Gasket 4312 NBR	20205
14	Reduction Ring	20647
15	Stainless Steel Bearing	20113
16	Flange	20644
18	Semi-Joint Upper	D20642
19	Vibration-Damping Elastomer	20494
20	Semi-Joint Lower	D20493
22	Evaporator Assy	C11113

Rev. 0 - 04/02/2014



G 510

HYDRAULIC CIRCUIT



Common Parts

Ref.	Spare Description	Code
1	Microswitch	23055
3*	Double Switch Basin Assembly	C10686
6	Discharges Manifold	10579
7	Ice Outlet Pipe with Bin bulbo holder	C10657
8	Locking Exhaust Strip	25049
9*	Ice Exhaust Assy with Micro	C10585

Parts for Water-Cooled Version Only

Ref.	Spare Description	Code
4	Water regulating valve assembly	C20967
5	Drain manifold	20984

Rev. 0 - 04/02/2014



Common Parts

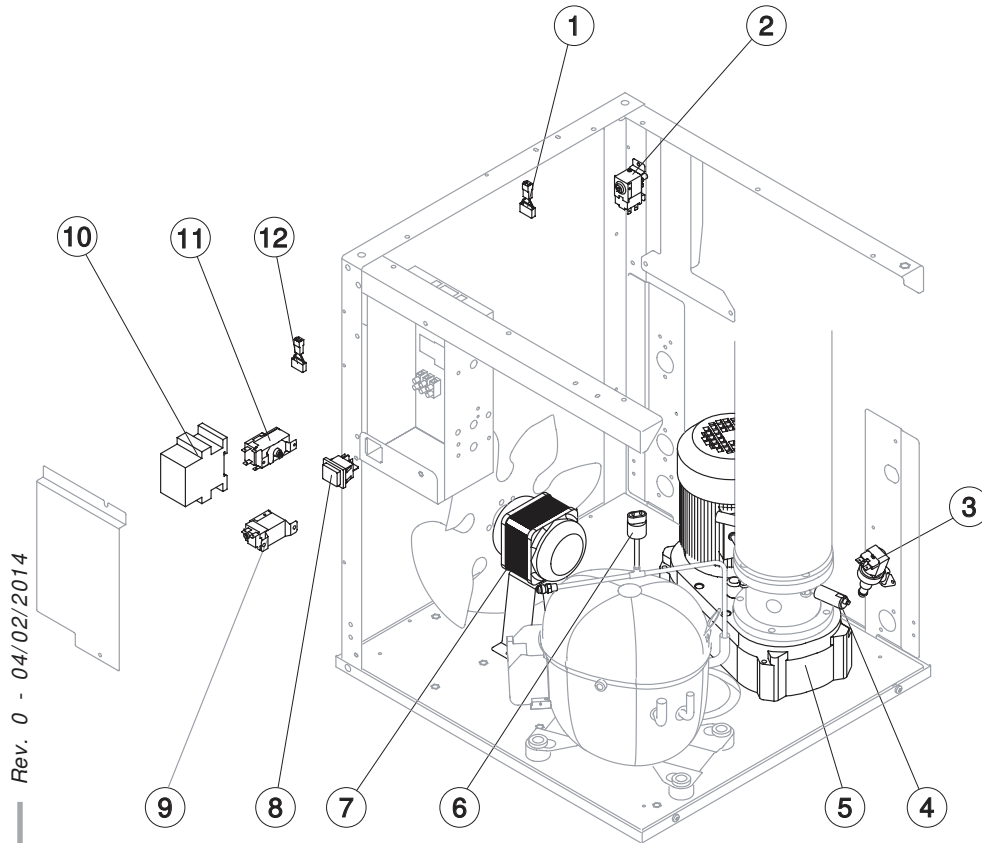
Ref.	Spare Description	Code
1	Anti Radio Interference Filter	T11 C23457
2	Safety Pressure Switch	23342
3*	1 Way- Water Inlet Valve	23115
4	Rotation Sensor	R231028
5	Gearmotor	23638
6	Low pressure safety switch	23909
8*	Green Light Switch (On-Off)	23327
10	Contactors	See Table
11*	Bin Thermostat	R231035

Parts for Air-Cooled Version Only

Ref.	Spare Description	Code
7*	Fan Motor	23121
9*	Pressostato Condensatore	23175
12	Condenser Pressure Switch	T11 C23459

Rif. 10* - Contactor

Voltage	Code
T11	23147
T12	23963



Rev. 0 - 04/02/2014