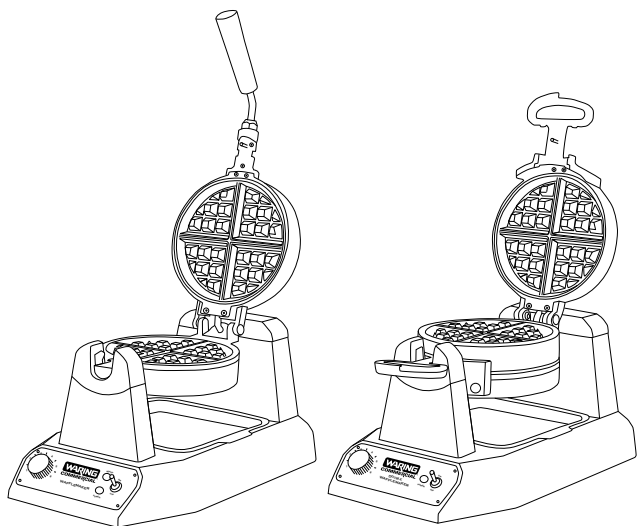


WARING[®] **COMMERCIAL**

SINGLE AND DOUBLE BELGIAN WAFFLE,
WAFFLE & WAFFLE CONE MAKERS

GOFRERAS Y BARQUILLERAS
SIMPLES & DOBLES

GAUFRIERS & GAUFRIERS À
CORNETS SIMPLES ET DOUBLES



WW180/WW200/WWCM180/WWCM200/ WWD180/WWD200

**(Only Belgian waffle style shown)
(barquilleras no enseñadas)
(gaufriers à cornets non montrés)**

For your safety and continued enjoyment of this product,
always read the instruction book carefully before using.

Para su seguridad y para disfrutar plenamente de este producto,
siempre lea las instrucciones cuidadosamente antes de usarlo.

Afin que cet appareil vous procure en toute sécurité beaucoup de satisfaction,
lire attentivement le mode d'emploi avant de l'utiliser.

IMPORTANT SAFEGUARDS

When using electrical appliances, basic safety precautions should always be followed, including the following:

1. **READ ALL INSTRUCTIONS.**
2. **Unplug from outlet when not in use and before cleaning. Allow to cool before putting on or taking off parts, and before cleaning appliance.**
3. Do not touch hot surfaces. Use handles and knobs.
4. To protect against fire, electric shock, and injury to persons, **DO NOT IMMERS**E CORD, PLUG, OR UNIT in water or other liquids.
5. This appliance is not intended for use by persons (including children) with reduced physical, sensory or mental capabilities, or lack of experience and knowledge, unless they have been given supervision or instruction concerning use of the appliance by a person responsible for their safety.

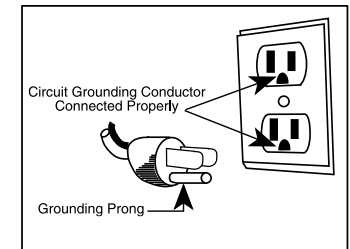
Children should be supervised to ensure that they do not play with the appliance.
6. **Do not operate any appliance with a damaged cord or plug or after the appliance malfunctions or has been damaged in any manner. Return appliance to the nearest Waring Authorized Service Facility for examination, repair, or adjustment.**
7. The use of accessory attachments not recommended by Waring may result in fire, electrical shock, or injury to persons.
8. Do not use outdoors, or use for other than intended use.
9. Do not let power cord hang over edge of table or counter, or touch hot surfaces.
10. Do not place on or near a hot gas or electric burner, or in a heated oven.
11. Turn knob to setting #1 and unplug the unit when finished baking waffles.
12. Extreme caution must be used when moving an appliance containing hot oil or other hot liquids.

13. Always begin by plugging appliance into wall outlet. To disconnect, turn control to setting #1, switch toggle to off position, then remove plug from wall outlet.
14. **WARNING: TO REDUCE THE RISK OF FIRE OR ELECTRIC SHOCK, REPAIRS SHOULD BE MADE ONLY BY AUTHORIZED PERSONNEL. DO NOT REMOVE THE BASE PANEL. NO USER SERVICEABLE PARTS ARE INSIDE.**
15. To acquire another instruction manual go to:
www.waringcommercialproducts.com

SAVE THESE INSTRUCTIONS APPROVED FOR COMMERCIAL USE

GROUNDING INSTRUCTIONS

For your protection, Waring® Commercial Waffle/Waffle Cone Makers are supplied with a molded 3-prong grounding-type plug and should be used in combination with a properly connected grounding-type outlet as shown in the figure.



SPECIAL CORD SET INSTRUCTIONS

A short power-supply cord is provided to reduce the risks resulting from becoming entangled in or tripping over a longer cord. Longer extension cords may be used if care is exercised in their use.

If a long extension cord is used, the marked electrical rating of the extension cord should be at least as great as the electrical rating of the appliance, and the longer cord should be arranged so that it will not drape over the countertop or tabletop where it can be pulled on by children or animals, or tripped over.

SPECIAL FEATURES

- 1. Waffle/Waffle Cone Grids**
(only Belgian waffle grids shown)

WW180/WWD180/WWCM180

– Single grid set for making one waffle/waffle cone at a time

WW200/WWD200/WWCM200

– Double grid set for making two waffles/waffle cones at a time (only one set shown)

- 2. Browning Control Adjustment**

– Adjustable for different batters and personal preference

- 3. Power Indicator Light**

– Lights red when waffle maker is on and heating up

- 4. Ready Indicator Light**
(only 1 shown on WW200/WWD200/WWCM200)

– Lights green when waffle maker is ready to bake

- 5. Power Switch**

- 6. Indicator Beeps** (not shown)

– Will beep 6 times when unit is ready to bake for first waffle of every baking session

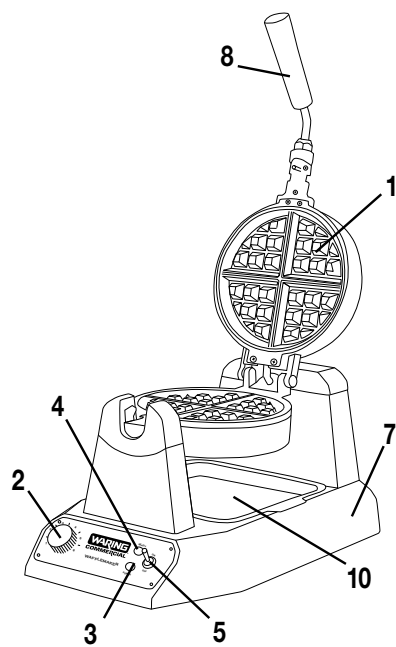
– Will beep 3 times when waffle is done

- 7. Base**

- 8. Handle**

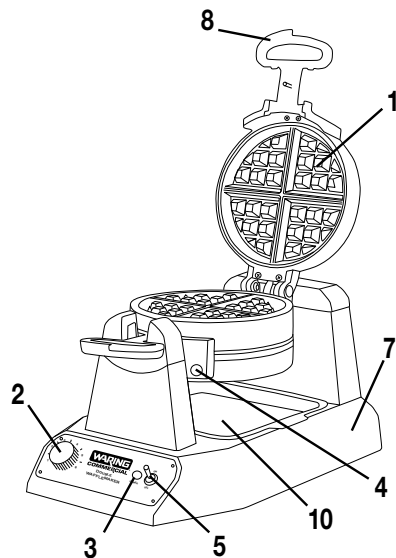
- 9. Measuring Cup** (not shown)

- 10. Removable Drip Tray**



WW180

WWD180/WWCM180 (not shown)



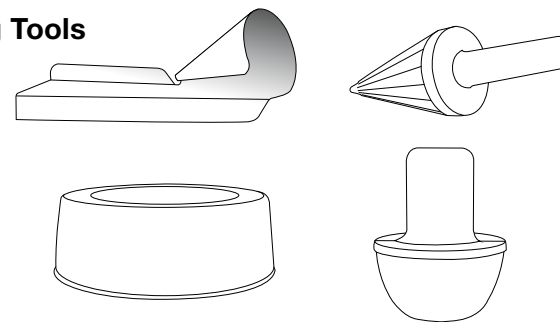
WW200

WWD200/WWCM200 (not shown)

Waffle Cone

Forming and Rolling Tools

(for WWCM180 and WWCM200 only)



Waffle Bowl Mold

(optional accessory

for WWCM180 and

WWCM200 only)

INSTRUCTIONS FOR USE

- Before using your Waring® Commercial Waffle/Waffle Cone Maker for the first time, remove any dust from shipping by wiping the plates with a damp cloth. Remove all protective paper and wrapping.
- Plug cord into wall outlet.

Switch the toggle switch to the ON position. The RED light will illuminate to signal power. Preheat your Waring® Commercial Waffle/Waffle Cone Maker on setting #4 or preferred setting. It will now begin the preheating process. This should take about 4 minutes. The machine will sound 6 beeps and the GREEN indicator light will go on to signal the unit is ready for baking. Season the waffle/waffle cone grids by spraying with cooking spray or brushing with a flavorless oil.

For initial use, it is important that the waffle/waffle cone maker is preheated before seasoning with cooking spray or oil.

NOTE: The first time you use your waffle/waffle cone maker, it may have a slight odor and may smoke a bit. This is normal, and common to heating appliances.

- For Belgian waffles (WW180/WW200):** Fill measuring scoop with batter to fill line noted on measuring cup for Belgian waffles (top line). Pour batter evenly into the center of the waffle grids. Use a heat-proof spatula to spread the batter evenly over the grids. Close the lid and rotate the unit 180°.

For waffles (WWD180/WWD200): Fill measuring scoop with batter to fill line noted on the measuring cup for

WWD180/WWD200 Waffles (middle fill line). Pour batter evenly into the center of the waffle grids. Use a heat-proof spatula to spread the batter evenly over the grids. Close the lid and rotate the unit 180°

For waffle cones (WWCM180/WWCM200): Your waffle cone maker is equipped with a measuring cup. For waffle cones, fill the measuring cup up to the bottom line (3 tablespoons) with batter. If you use a disher, it is recommended that you use the 16 disher (2-oz./60 ml). Drop the batter into the center of the grid and close. As the grids close, the batter will spread throughout the grid to form the appropriate shape. When the waffle cone is completely baked, the waffle cone maker will sound three beeps. For best results, do not open waffle/waffle cone maker during cooking process. Doing so will interfere with the timing mechanism.

4. When the waffle/waffle cone is completely baked, the waffle maker will sound 3 beeps. Baking time is determined by browning level. Choose a setting on the browning control dial. For golden brown waffles, we recommend using setting #4 and setting #3 for waffle cones.
5. Once the waffle/waffle cone is ready and the waffle maker has beeped 3 times, rotate the waffle maker 180°, open the lid and remove waffle by gently loosening the edges with a heat-proof plastic spatula. Never use metal utensils, as they may damage the nonstick coating.
6. For WW200/WWD200/WWCM200, one waffle or two waffles (or waffle cones) can be baked at one time. For one waffle/waffle cone, simply follow previous instructions. For two waffles/waffle cones at once, pour batter into top waffle/waffle cone compartment grids, then rotate 180°. You will now be able to open the other waffle/waffle cone compartment. Pour the batter in the grids and rotate another 180° in the other direction. Both waffles/waffle cones will now cook. There are individual green “ready” lights that will illuminate when each waffle/waffle cone is ready, and when an empty compartment is ready to bake another waffle/waffle cone.

THERMAL PROTECTION

IF POWER IS LOST DURING OPERATION, UNPLUG AND LET COOL 10 MINUTES. PLUG IN AND CONTINUE USE. READ OWNER'S MANUAL BEFORE USE.

7. **Waffle Cone Rolling Directions:** For WWCM180/WWCM200, once unit beeps and waffle is ready, remove hot flat waffle from grid iron and quickly roll into a cone

shape before it cools using the cone forming and rolling tool included with unit to create a cone shape. Once the waffle cone maker beeps and the ready light illuminates, open the grid and remove the hot flat waffle. Place the waffle bowl mold tool on a flat surface. Place the flat waffle in the forming tool, with the edge of the waffle as close to the opening of the metal form as possible. Insert the plastic rolling tool fully inside the rounded part of the metal forming tool and begin to rotate COUNTERCLOCKWISE. The ribs on the rolling tool will pull the flat waffle up around the rounded area of the metal forming tool, creating a cone. You can leave the cone to cool around the rolling tool in the metal forming tool, or pull it out and keep it formed with your hands. Once the cone has cooled, it will keep shape on its own. **Caution: Take care during this process as the waffle cone will be hot.**

8. **Waffle Bowl Making Directions:** The waffle bowl mold and pusher are available as optional accessories. It is best to create a waffle bowl as soon as possible after the baking process while the flat waffle is still hot. A cool waffle bowl is difficult to create without breaking. **Caution: Take care during this process as the waffle will be hot.** Once the waffle cone maker beeps and the ready light illuminates, open the grid and remove the hot flat waffle. Place the waffle bowl mold tool on a flat surface. Place the flat waffle in the bowl mold, centered as much as possible. Gently use the pusher to push the flat waffle fully into the mold, creating a bowl. Be careful not to push too hard that you break the bowl. Leave the waffle bowl like this, between the mold and the pusher to cool for about 20 seconds. Remove the pusher and carefully remove your waffle bowl.
9. Once you have finished baking, switch toggle to OFF position and remove plug from electrical outlet. Leave top lid open and allow grids to cool before cleaning (details on page 8).

NOTE: These Waring® Commercial Waffle/Waffle Cone Makers have been treated with a special nonstick coating. Before the first use, we suggest you season the waffle/waffle cone grids by brushing with cooking oil. Wipe with a paper towel or pastry brush.

TIPS FOR MAKING PERFECT BELGIAN WAFFLES

We recommend setting #4 when using commercial pancake/waffle mixes.

We recommend setting #4 for Belgian waffle recipes. If you prefer crisper, darker Belgian waffles, increase the browning control.

For evenly filled waffles, pour the batter into the center of the lower grid and spread out evenly to the edges. The entire lower grid should be filled.

For best results, we recommend using $\frac{3}{4}$ cup batter or enough to fill the entire lower grid.

For added convenience while baking waffles, rest measuring scoop with handle hanging on outside of bowl and scoop on inside of bowl until the next baking cycle.

To measure flour, stir the flour first to aerate it, since it settles when it sits. Then spoon it into a measuring cup, leveling off the top with the back of a knife – do not pack down into measuring cup. These quick steps will help you avoid “heavy waffles.” Belgian waffles taste best when made to order, but baked Belgian waffles may be kept warm in a 200°F oven. Place in a baking pan or wrap in foil while in the oven. Waffles wrapped in foil may lose their crispness.

Baked waffles may be frozen. Allow to cool completely, and then place in plastic food storage bag. Use waxed paper to keep waffles separated. Reheat in an oven, toaster or toaster oven when ready to use.

TIPS FOR MAKING PERFECT WAFFLE CONES

We recommend setting #4 when using commercial waffle cone mixes and batter recipes. If you prefer crisper, darker waffle cones, increase the browning control number.

For evenly filled waffle cones, place the batter in the center of the lower grid and close the grid immediately. Most batters will spread out evenly with the pressure of the upper grid. If you have a very thick batter, you may need to spread the batter out a little more, very quickly, with a heat-proof spatula.

While rolling the waffle cone, concentrate on keeping the edge of the waffle nearest to the tip of the rolling tool. This will become the tip of the cone and it is best to have a sealed tip when using ice cream.

Allow waffle cones to cool completely for desired results, before placing ice cream or any other filling in the cone.

CLEANING AND MAINTENANCE

Once you have finished baking, turn control knob to setting #1, switch toggle to OFF position and remove plug from electrical outlet. Leave top lid open and allow grids to cool before cleaning.

Never take your waffle/waffle cone maker apart for cleaning. Simply brush crumbs from grooves and absorb any excess cooking oil by wiping with a dry cloth or paper towel. You may clean the grids by wiping with a damp cloth to prevent staining and sticking from batter or oil buildup.

Be certain grids have cooled completely before cleaning. If batter adheres to plates, simply pour a little cooking oil onto the baked batter and let stand approximately 5 minutes, thus allowing batter to soften for easy removal.

To clean exterior, wipe with a soft dry cloth. Never use an abrasive cleanser or harsh pad. **NEVER IMMERSER CORD, PLUG OR UNIT IN WATER OR OTHER LIQUIDS.**

Any other servicing should be performed by an authorized service center.

LIMITED ONE YEAR WARRANTY

Waring warrants every new Waring® Commercial Waffle/Waffle Cone Maker to be free from defects in material and workmanship for a period of one year from the date of purchase when used with foodstuffs, nonabrasive liquids (other than detergents) and nonabrasive semi-liquids, providing it has not been subject to loads in excess of the indicated rating.

Under this warranty, Waring will repair or replace any part which, upon our examination, is defective in materials or workmanship, provided the product is delivered prepaid to the Waring Service Center at: 314 Ella T. Grasso Ave. Torrington, CT 06790, or any Factory Approved Service Center.

This warranty does not: a) apply to any product that has become worn, defective, damaged or broken due to use or due to repairs or servicing by other than the Waring Service Center or a Factory Approved Service Center, or due to abuse, misuse, overloading or tampering; or b) cover incidental or consequential damages of any kind.

Warning: This warranty is void if appliance is used on Direct Current (DC).



WARING COMMERCIAL
314 Ella T. Grasso Ave.
Torrington, CT 06790

MEDIDAS DE SEGURIDAD IMPORTANTES

Siempre que use aparatos eléctricos, debe tomar precauciones básicas de seguridad, entre las cuales las siguientes:

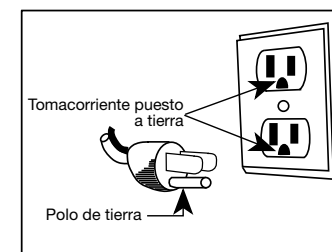
1. **LEA TODAS LAS INSTRUCCIONES.**
2. **Desconecte el aparato cuando no esté en uso y antes de limpiarlo. Permita que enfrie antes de instalar o remover piezas y antes de limpiarlo.**
3. No toque las superficies calientes. Utilice el mango y los botones o perillas.
4. Para reducir el riesgo de incendio, electrocución o herida, **NO SUMERJA EL CABLE, LA CLAVIJA O EL APARATO EN AGUA U OTRO LÍQUIDO.**
5. Los niños o las personas que carezcan de los conocimientos o la experiencia necesarios para manipular el aparato, o aquellas cuyas capacidades físicas, sensoriales o mentales estén limitadas, no deben utilizar el aparato sin la supervisión o la dirección de una persona responsable por su seguridad.
Asegúrese de que los niños no jueguen con este aparato.
6. **No utilice este aparato si el cordón o la clavija estuviesen dañados, después de que hubiese funcionado mal o que se hubiese caído o si estuviese dañado. Regrese el aparato a un centro de servicio autorizado para su revisión, reparación o ajuste.**
7. El uso de accesorios no recomendados por Waring presenta un riesgo de incendio, electrocución o herida.
8. No lo utilice en exteriores, ni para ningún otro fin que no sea el indicado.
9. No permita que el cordón cuelgue del borde de la encimera o de la mesa, ni que haga contacto con superficies calientes.
10. No coloque el aparato sobre o cerca de un quemador a gas o una hornilla eléctrica caliente, ni en un horno caliente.
11. Ponga el control de temperatura en la posición "1" y desconecte el aparato después de cada uso.

12. Tenga sumo cuidado al mover un aparato que contenga aceite u otros líquidos calientes.
13. Siempre conecte el cable a la toma de corriente antes de encender el aparato. Siempre ponga el control de temperatura en la posición no.1 y el interruptor en la posición "OFF" antes de desconectar el aparato.
14. **ADVERTENCIA: PARA REDUCIR EL RIESGO DE INCENDIO O ELECTROCUCIÓN, LAS REPARACIONES DEBEN SER REALIZADAS POR UN TÉCNICO CALIFICADO. NO DESARME EL APARATO. NO CONTIENE PIEZAS QUE PUEDAN SER REPARADAS POR EL USUARIO.**
15. Para conseguir una copia de este manual de instrucciones, **visite www.waringcommercialproducts.com**

GUARDE ESTAS INSTRUCCIONES APROBADO PARA USO COMERCIAL

INSTRUCCIONES DE PUESTA A TIERRA

Para su protección, el cable de su aparato está dotado de un enchufe con puesta a tierra, el cual debe ser conectado a una toma de corriente debidamente puesta a tierra.



INSTRUCCIONES ESPECIALES RELATIVAS AL USO DE EXTENSIONES

El cable proveído con este aparato es corto, para reducir el peligro de que alguien se enganche o tropiece con un cable más largo. Se podrá usar una extensión eléctrica, siempre que respete las precauciones siguientes.

La clasificación nominal de la extensión debe ser por lo menos igual a la del aparato. Es importante colocar la extensión sobre la encimera o la mesa de tal forma que niños o animales no puedan jalarla o tropezar con ella.

CARACTERÍSTICAS

- 1. Placas para gofres/barquillos**
(barquilleras no enseñadas)

WW180/WWD180/WWCM180

– Un juego de placas, para preparar un gofre/barquillo a la vez

WW200/WWD200/WWCM200

– Dos juegos de placas, para preparar dos gofres/barquillos a la vez (solamente 1 juego enseñado más abajo)

- 2. Temperatura variable**

– Ajuste la temperatura según la mezcla o al gusto

- 3. Luz de encendido (roja)**

– Indica que la gofrera está calentando

- 4. Luz de listo (verde)**
(luces independientes sobre los modelos WW200/WWD200/WWCM200)

– Indica que la gofrera está lista

- 5. Interruptor**

- 6. Señal sonora (no enseñada)**

– El aparato emite 6 pitidos cuando está listo para cocer (primer gofre solamente).

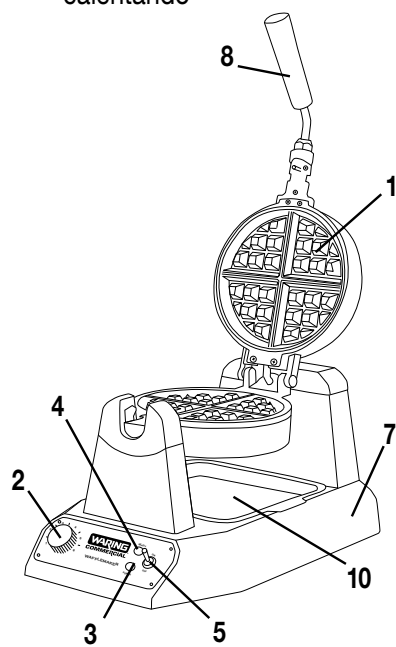
– Emite 3 pitidos cuando el gofre está listo

- 7. Base**

- 8. Mango**

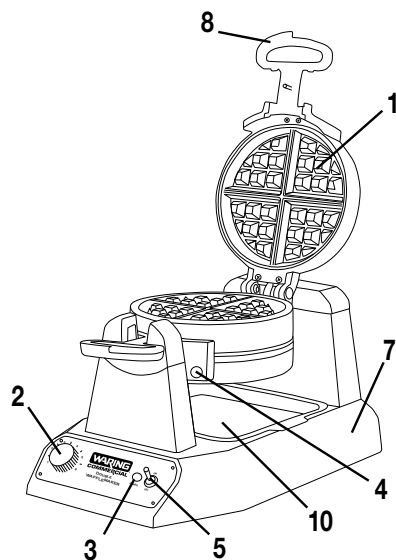
- 9. Vaso medidor (no enseñado)**

- 10. Bandeja de goteo extraíble**



WW180

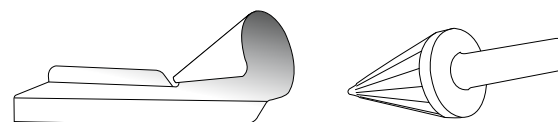
WWD180/WWCM180 (no enseñado)



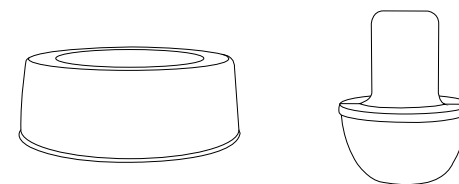
WW200

WWD200/WWCM200 (no enseñado)

Molde para barquillos y cono formador
(modelos WWCM180 y WWCM200 solamente)



Molde para tulipas
(accesorio opcional para los modelos WWCM180 y WWCM200 solamente)



INSTRUCCIONES DE USO

- Antes de usar el aparato por primera vez, limpie las placas con un paño ligeramente húmedo para remover el polvo acumulado durante el transporte. Retire el material de embalaje y protección.

- Enchufe el cable en una toma de corriente.

Ponga el interruptor en la posición "ON". La luz ROJA se encenderá. Elija el nivel de temperatura deseado (le aconsejamos que utilice el nivel 4 para preparar gofres bien dorados). El aparato empezará a calentarse. Esto debería demorar aproximadamente 4 minutos. Cuando esté listo, el indicador luminoso VERDE se encenderá y el aparato emitirá 6 pitidos. Rocíe spray vegetal o cepille aceite vegetal sobre las placas.

Antes del primer uso, es importante engrasar las placas, después de precalentarlas.

NOTA: Puede que el aparato produzca humo y un ligero olor a quemado la primera vez que lo use. Esto es normal.

- Para preparar gofres gruesos (WW180/WW200):** Llene el vaso medidor con mezcla hasta la línea superior. Vierta la mezcla en el centro de las placas. Espárzala uniformemente con una espátula a prueba de calor. Cierre la gofrera y gírela 180°.

Para preparar gofres (WWD180/WWD200): Llene el vaso medidor con mezcla hasta la línea del medio. Vierta la mezcla en el centro de las placas. Espárzala uniformemente con una espátula a prueba de calor. Cierre la gofrera y gírela 180°.

Para preparar barquillos (WWCM180/WWCM200):

Su barquillera incluye un vaso medidor. Para preparar barquillos, llene el vaso medidor con mezcla hasta la línea inferior (3 cucharadas). También puede usar una cuchara para servir helado de 60 ml (no. 16). Vierta la mezcla en el centro de la placa y cierre las placas. La mezcla se esparcirá uniformemente al cerrar las placas. Cuando el gofre esté listo, la gofrera emitirá 3 pitidos.

Para lograr resultados óptimos, no abra el aparato hasta que el gofre esté listo. Esto podría afectar el buen funcionamiento del temporizador.

4. Cuando el gofre esté listo, la gofrera emitirá 3 pitidos. El ajuste de temperatura elegido determinará el tiempo de cocción. Elija el nivel de temperatura deseado. Para preparar gofres/barquillos bien dorados, le aconsejamos que utilice el nivel no. 4 (gofres)/no. 3 (barquillos).
5. Gire las placas 180°, ábralas y retire el gofre, soltando los bordes con una espátula a prueba de calor. Nunca utilice utensilios de metal. Esto podría dañar el revestimiento antiadherente de las placas.
6. Los modelos WW200/WWD200/WWCM200 permiten preparar dos gofres/barquillos al mismo tiempo. Para preparar solamente un gofre, siga las instrucciones más arriba. Para preparar dos gofres al mismo tiempo, vierta la mezcla en el centro de la primera placa, cierre las placas y gírelas 180°. Abra entonces el otro lado. Vierta la mezcla sobre la otra placa, cierre y gire 180° en la dirección opuesta. Los dos gofres cocerán simultáneamente. Los indicadores luminosos verdes se encenderán cuando los gofres estén listos, y también cuando las placas estén listas para preparar los gofres siguientes.

PROTECCIÓN ANTI-SOBRECALENTAMIENTO
ESTE APARATO ESTÁ EQUIPADO CON UN SISTEMA DE PROTECCIÓN QUE APAGA AUTOMÁTICAMENTE EL APARATO EN CASO DE RECALENTAMIENTO. SI ESTO OCURRIERA, DESCONECTE EL APARATO Y PERMITA QUE ENFRÍE DURANTE 10 MINUTOS ANTES DE CONTINUAR.

7. Cómo formar barquillos (modelos WWCM180/WWCM200): Retire el gofre de la placa al final de la cocción y forme el

barquillo rápidamente, usando el molde para barquillos y cono formador incluidos. Coloque el gofre sobre la parte plana del molde, la orilla del gofre lo más cerca posible de la abertura del cilindro. Introduzca el cono de plástico adentro del molde y gire en sentido ANTIHORARIO. Las ranuras del cono guiarán el gofre adentro del molde para darle forma. Deje el barquillo enfriar adentro el molde, sin retirar el cono de plástico, hasta que enfríe. Una vez frío, retírelo del molde. **Precaución: Tenga cuidado, puesto que el gofre estará caliente.**

8. **Cómo formar tulipas:** El molde para tulipas y el empujador son accesorios opcionales. Forme la tulipa lo más pronto posible, mientras el gofre esté aún caliente; los gofres fríos suelen romperse. Precaución: Tenga cuidado, puesto que el gofre estará caliente. Retire el gofre de la placa al final de la cocción. Ponga el molde para tulipas sobre una superficie plana. Coloque el gofre en el centro del molde. Empuje suavemente el gofre con el empujador. Tenga cuidado de no presionar mucho; esto podría romper el gofre. Permita que la tulipa enfríe, entre el molde y el empujador, durante aproximadamente 20 segundos. Alce el empujador y retire delicadamente la tulipa.
9. Después de terminar, ponga el interruptor en la posición "OFF", y desenchufe el aparato. Abra las placas y permita que enfríen antes de limpiarlas (véase la sección "Limpieza y mantenimiento").

NOTA: Las placas de las gofreras/barquilleras Waring® Commercial están cubiertas con un revestimiento antiadherente. Sin embargo, le aconsejamos que engrase las placas con aceite vegetal antes del primer uso. Distribuya el aceite con una toallita de papel o una brocha.

CONSEJOS PARA PREPARAR GOFRES PERFECTOS

Utilice el ajuste de temperatura no. 4 para preparar gofres con mezcla preparada para gofres o "pancakes".

También le aconsejamos que utilice el nivel 4 para preparar gofres belgas. Para que los gofres sean más crujientes y cocidos, elija un ajuste más alto.

Para que los gofres sean homogéneos, vierta la mezcla en el centro de la placa y espárzala hacia las orillas, hasta cubrir totalmente la superficie de la placa.

Llene el vaso medidor hasta los $\frac{3}{4}$ o más.

El asa del vaso medidor le permitirá colgar éste en el borde del tazón.

Revuelva la harina antes de medirla. Después de echarla en el vaso medidor, pase el filo de un cuchillo encima de éste para eliminar el exceso. Medir la harina precisamente le permitirá preparar gofres más ligeros. Los gofres son mejores recién hechos, pero si desea, los puede mantener calientes en un horno precalentado a 95 °C (200 °F), adentro de un molde o envueltos en papel de aluminio. Nota: los gofres envueltos en papel de aluminio serán menos crujientes.

Los gofres se congelan muy bien. Permita que enfríen, y luego póngalos en una bolsa hermética, entre hojas de papel encerado. Recaliéntelos en el horno o en la tostadora.

CONSEJOS PARA PREPARAR BARQUILLOS PERFECTOS

Le aconsejamos que utilice el ajuste de temperatura no. 4 para preparar barquillos. Para que los barquillos sean más crujientes y cocidos, elija un ajuste más alto

Para conseguir resultados homogéneos, vierta la mezcla en el dentro de la placa y cierre las placas inmediatamente. Por lo general, la mezcla se esparcirá bajo el peso de la placa superior. Sin embargo, si la mezcla es muy espesa, se podrá esparcir (muy rápidamente) con una espátula a prueba de calor.

Procure mantener la punta del cono formador lo más cerca posible de la orilla del gofre al formar el barquillo. Esto sellará la punta del barquillo y mantendrá el helado derretido adentro del mismo.

Permita que los barquillos enfríen completamente antes de usarlos.

LIMPIEZA Y MANTENIMIENTO

Después de terminar, ponga el control de temperatura en la posición "1" y el interruptor en la posición "OFF", y luego desenchufe el aparato. Abra las placas y permita que enfríen antes de limpiarlas.

Nunca desarme el aparato para limpiarlo. Elimine los residuos de las placas con una brocha y absorbe el aceite con un papel toalla o un paño seco. Limpie las placas con un paño ligeramente húmedo se desea para eliminar y prevenir las manchas y los residuos pegajosos.

Compruebe que las placas están completamente frías antes de limpiarlas. Si hay mezcla pegada sobre las placas, vierta un poco de aceite encima y espere durante aproximadamente 5 minutos. Esto remojará la mezcla seca para facilitar la limpieza.

Limpie el cuerpo del aparato con un paño suave seco. Nunca utilice limpiadores abrasivos o estropajos metálicos. **NUNCA SUMERJA EL CORDÓN, LA CLAVIJA O EL APARATO EN AGUA U OTRO LÍQUIDO.**

Cualquier otro servicio debe ser realizado por un técnico autorizado.

GARANTÍA LIMITADA DE UN AÑO

Waring garantiza toda nueva gofrera/barquillera Waring® Commercial contra todo defecto de materiales o fabricación durante un año a partir de la fecha de compra, siempre en cuando haya sido usada con alimentos, líquidos no abrasivos (a excepción de detergentes) y semi-líquidos no abrasivos, y que no haya sido sujeta a cargas que excedan su máxima capacidad.

Bajo esta garantía, Waring reparará o reemplazará toda pieza que, tras estar inspeccionada por nuestro servicio posventa, demuestre defectos de materiales o fabricación, siempre que el producto se entregue con franqueo pagado a:

314 Ella T. Grasso Ave. Torrington, CT 06790, o a cualquier servicio postventa aprobado.

Esta garantía: a) no se aplica a ningún producto desgastado, defectuoso, dañado o roto debido a uso, reparaciones/servicio realizados por personas no autorizadas, o abuso, mal uso, sobrecarga o daños intencionales; b) no cubre daños incidentales o consecuentes de ningún tipo.

Advertencia: El utilizar este aparato con corriente continua (C.C.) invalidará la garantía.



WARING COMMERCIAL
314 Ella T. Grasso Ave.
Torrington, CT 06790

IMPORTANTES CONSIGNES DE SÉCURITÉ

L'utilisation d'appareils électriques requiert la prise de précautions élémentaires, parmi lesquelles les suivantes :

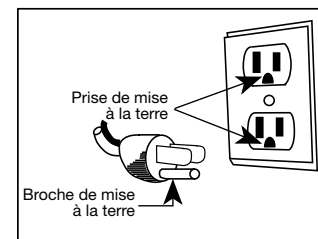
1. **LIRE TOUTES LES INSTRUCTIONS.**
2. **Débrancher l'appareil lorsque vous ne l'utilisez pas et avant de le nettoyer. Le laisser refroidir avant toute manipulation ou entretien.**
3. Ne pas toucher les surfaces chaudes. Utiliser les poignées ou les boutons.
4. Afin de réduire le risque d'incendie, d'électrocution ou de blessures, **NE PAS PLONGER LE CORDON, LA PRISE OU L'APPAREIL** dans l'eau ou tout autre liquide.
5. Cet appareil ne devrait pas être utilisé par des enfants ou des personnes souffrant d'un handicap physique, mental ou sensoriel, ou qui ne disposent pas des connaissances ou de l'expérience nécessaires, à moins qu'une personne responsable de leur sécurité leur en ait expliqué le fonctionnement ou les encadre.
Il convient de surveiller les enfants afin de s'assurer qu'ils ne jouent pas avec l'appareil.
6. **Ne pas utiliser l'appareil si le cordon d'alimentation ou la fiche sont endommagés, s'il ne fonctionne pas correctement, s'il est tombé ou s'il est abîmé. Envoyer l'appareil à un service après-vente autorisé afin qu'il soit inspecté, réparé ou réglé au besoin.**
7. L'utilisation d'accessoires non recommandés ou vendus par le fabricant peut présenter un risque d'incendie, d'électrocution ou de blessure.
8. Ne pas utiliser cet appareil à l'air libre ou à des fins autres que celles pour lesquelles il a été conçu.
9. Ne pas laisser le cordon pendre au bord d'une table ou d'un plan de travail, ni entrer en contact avec des surfaces chaudes.
10. Ne pas mettre l'appareil sur ou à proximité d'une plaque à gaz ou électrique, ni dans un four chaud.

11. Placer le cadran de réglage de température sur "1" et débrancher l'appareil après usage.
12. Faire particulièrement attention lorsque vous déplacez un appareil qui contient de l'huile ou autre liquide chaud.
13. Brancher l'appareil avant de l'allumer. Placer le cadran de réglage de température sur "1" et éteindre l'appareil (OFF) avant de le débrancher.
14. **AVERTISSEMENT : AFIN DE PRÉVENIR LES RISQUES D'INCENDIE OU D'ÉLECTROCUTION, TOUTE RÉPARATION DOIT ÊTRE EFFECTUÉE PAR UN TECHNICIEN AUTORISÉ. NE PAS DÉMONTER LE BOÎTIER. L'APPAREIL DE CONTIENT PAS DE PIÈCES POUVANT ÊTRE RÉPARÉES PAR LE CONSOMMATEUR.**
15. Pour obtenir une copie de ce manuel d'instructions, visiter : **www.waringcommercialproducts.com**

GARDER CES INSTRUCTIONS USAGE COMMERCIAL AUTORISÉ

INSTRUCTIONS DE MISE À LA TERRE

Pour votre protection, les gaufriers/ gaufriers à cornets Waring® Commercial sont équipés d'une fiche à trois broches. Cette fiche doit être branchée dans une prise de terre correctement configurée (voir illustration ci-contre).



UTILISATION DE RALLONGES ÉLECTRIQUES

Pour des raisons de sécurité, cet appareil est équipé d'un cordon d'alimentation court. Une rallonge électrique pourra être utilisée au besoin, pourvu que les précautions suivantes soient prises.

Veillez à ce que les spécifications électriques de la rallonge soient au moins égales à celles de l'appareil, ne la laissez pas pendre au bord d'une table ou d'un plan de travail et veillez à ce qu'elle soit placée de telle manière qu'un enfant ou un animal ne puisse pas y trébucher ou la tirer.

CARACTÉRISTIQUES

- Plaques à gaufres de 3 cm de profondeur et plaques à gaufres à cornets de 3 mm de profondeur**
(gaufriers à cornets non montrés)

WW180/WWD180/WWCM180

– Un jeu de plaques, pour préparer une gaufre à la fois

WW200/WWD200/WWCM200

– Deux jeux de plaques, pour préparer deux gaufres à la fois (seulement 1 plaque montrée ci-dessous)

- Réglage de température**

– Variable selon le type de pâte et les goûts personnels

- Voyant d'alimentation (rouge)**
– Indique que le gaufrier chauffe

- Voyant de préchauffage (vert) (voyants indépendants sur les modèles**

WW200/WWD200/WWCM200)

– Indique que le gaufrier est prêt

- Interrupteur**

- Signal sonore (non montré)**

– Sonne 6 fois pour indiquer que le gaufrier est prêt pour la première gaufre

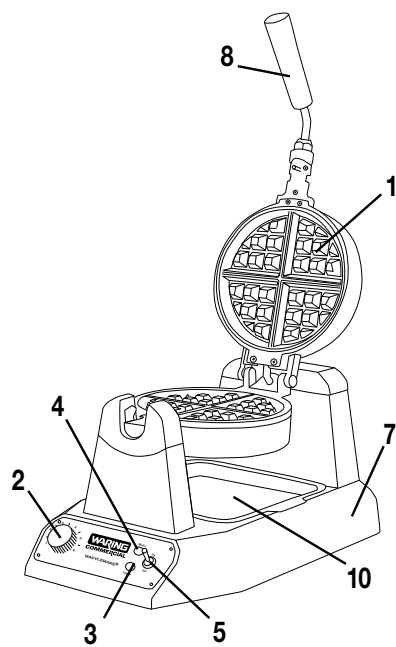
– Sonne 3 fois pour indiquer que la gaufre est cuite

- Base**

- Poignée**

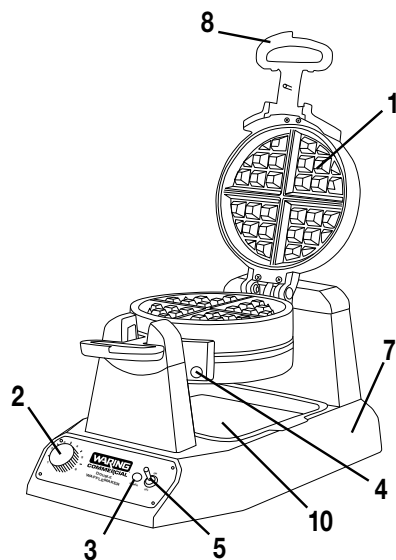
- Ver mesureur (non montré)**

- Bac amovible**



WW180

WWD180/WWCM180 (non montré)

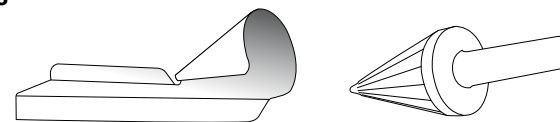


WW200

WWD200/WWCM200 (non montré)

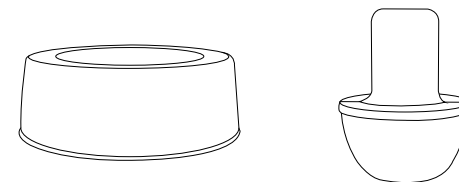
Moule et cône à cornets

(modèles WWCM180 et WWCM200 uniquement)



Moule à tulipes

(en option, modèles WWCM180 et WWCM200 uniquement)



MODE D'EMPLOI

- Avant d'utiliser l'appareil pour la première fois, essuyer les plaques de cuisson à l'aide d'un linge humide afin d'éliminer la poussière accumulée pendant le transport. Retirer le matériel de protection et d'emballage.

- Brancher l'appareil dans une prise électrique.

Mettre l'interrupteur à bascule sur la position ON. Le voyant lumineux ROUGE s'allumera. Choisir le réglage de température désiré (pour des gaufres bien dorées, nous vous conseillons d'utiliser le réglage no. 4). Le gaufrier commencera à chauffer. Cela devrait prendre environ 4 minutes. Une fois prêt, le voyant VERT s'allumera et l'appareil sonnera 6 fois. Graisser les plaques à l'aide d'un aérosol de cuisson ou d'huile.

Avant la première utilisation, il est important de laisser chauffer les plaques, puis de les graisser.

REMARQUE : Il se peut que le gaufrier fume et émette une légère odeur lors de la première utilisation. Cela est tout à fait normal.

- Pour faire des gaufres épaisses (WW180/WW200) :**
Remplir le verre mesureur de pâte à gaufre jusqu'à la ligne du haut. Verser la pâte au centre de la plaque. Étaler la pâte à l'aide d'une spatule thermorésistante. Refermer le gaufrier et le tourner 180°.

Pour faire des gaufres (WWD180/WWD200) : Remplir le verre mesureur de pâte à gaufre jusqu'à la ligne du milieu. Verser la pâte au centre de la plaque. Étaler la pâte à l'aide

d'une spatule thermorésistante. Refermer le gaufrier et le tourner 180°.

Pour faire des gaufres à cornets (WWCM180/WWCM200) : Votre gaufrier à cornets inclut un verre mesureur. Remplir le verre mesureur de pâte à gaufre jusqu'à la ligne du bas (env. 3 cuillerées à soupe). Vous pouvez également utiliser une cuillère à glace de 60 ml (no. 16). Verser la pâte au centre de la plaque et fermer. La pâte se répandra d'elle-même. L'appareil sonnera 3 fois pour indiquer que la gaufre est prête.

Ne pas ouvrir le gaufrier pendant la cuisson. Cela pourrait nuire au bon fonctionnement du minuteur.

4. À la fin de la cuisson, le gaufrier sonnera 3 fois. Remarque : le réglage de température choisi déterminera le temps de cuisson. Préchauffer le gaufrier au réglage de température désiré. Pour des gaufres bien dorées, nous vous conseillons d'utiliser le réglage no. 4 (gaufres)/no. 3 (cornets).
5. Après le signal de fin de cuisson, tourner les plaques 180°, ouvrir et retirer la gaufre en décollant les bords à l'aide d'une spatule thermorésistante. Ne jamais utiliser d'ustensiles en métal. Cela pourrait abîmer le revêtement antiadhésif des plaques.
6. Les modèles WW200/WWD200/WWCM200 permettent de préparer deux gaufres/cornets à la fois. Pour préparer une seule gaufre ou un seul cornet, suivre les instructions ci-dessus. Pour préparer deux gaufres/cornets : verser la pâte au centre de la première plaque, fermer et tourner les plaques 180°. Ouvrir l'autre côté. verser la pâte sur la plaque, fermer puis tourner 180° dans l'autre sens. Les deux gaufres cuiront en même temps. Le voyant de préchauffage (vert) de chaque plaque s'allumera pour indiquer que le gaufrier est prêt, puis plus tard pour indiquer que la gaufre est cuite.

PROTECTION ANTI-SURCHAUFFE
L'APPAREIL S'ÉTEINDRA AUTOMATIQUEMENT EN CAS DE SURCHAUFFE. SI CELA SE PRODUISAIT, LE DÉBRANCHER ET LE LAISSER REFROIDIR PENDANT 10 MINUTES AVANT DE CONTINUER.

7. Comment former les cornets : Après le signal de fin de cuisson, décoller la "gaufre" de la plaque et former le cornet sans attendre, en utilisant le cône et le moule à cornets inclus. Poser la gaufre sur la partie plate du moule, le bord le plus près possible de l'ouverture. Introduire le cône en plastique dans le moule et le faire tourner dans le sens inverse des aiguilles d'une montre. Les rainures du cône entraîneront la gaufre dans le moule pour former un cornet. Laisser le cône en plastique dans le moule jusqu'à ce que le cornet ait refroidi. Une fois refroidi, il gardera sa forme.

Mise en garde : La gaufre sera très chaude.

8. **Comment former des tulipes :** Le moule à tulipes et le pilon sont en option. Former la tulipe aussitôt que possible, alors que la gaufre est encore chaude. Les gaufres froides ont tendance à se casser. Mise en garde : La gaufre sera très chaude. Faire attention de ne pas se brûler. Retirer la gaufre de la plaque en fin de cuisson. Placer le moule à tulipes sur une surface plate. Placer la gaufre au centre du moule. Enfoncer doucement le pilon dans le moule. Faire attention de ne pas trop pousser, ou la gaufre pourrait se casser. Laisser la tulipe refroidir pendant environ 20 secondes, entre le moule et le pilon. Soulever le pilon et retirer délicatement la tulipe.
9. Lorsque vous avez terminé, éteindre (OFF), puis débrancher l'appareil. Ouvrir les plaques et laisser refroidir le gaufrier avant de le nettoyer (voir la section "Nettoyage et entretien").

REMARQUE : Les plaques des gaufriers/gaufriers à cornets Waring® Commercial sont recouvertes d'un revêtement antiadhésif. Toutefois, il est conseillé de les graisser avant de préparer la première gaufre, en les badigeonnant d'huile. Essuyer à l'aide d'une serviette en papier ou d'un pinceau à pâtisserie.

CONSEILS POUR DES GAUFRES RÉUSSIES

Utiliser le réglage de température no. 4 lorsque vous utilisez une préparation pour gaufres ou crêpes.

Nous vous conseillons également d'utiliser le réglage no. 4 pour faire des gaufres belges. Pour des gaufres plus cuites et plus croquantes, utiliser un réglage plus élevé.

Pour que les gaufres soit uniformes, verser la pâte au centre de

la plaque et l'étaler vers les bords. La plaque inférieure devrait être complètement recouverte de pâte.

Remplir le verre mesureur aux $\frac{3}{4}$ ou suffisamment pour saturer la plaque de pâte.

L'anse du verre mesureur vous permettra de le suspendre au bord du récipient.

Pour préparer des gaufres plus légères, mélanger la farine avant de la mesurer afin de l'aérer. Si vous utilisez un verre mesureur, passer une lame de couteau sur le dessus du verre pour éliminer le surplus de farine. Les gaufres seront ainsi plus légères. Les gaufres sont meilleures lorsqu'elles sont fraîches, mais vous pouvez également les maintenir chaudes dans un four à 95°C, après les avoir placées dans un moule ou en emballées dans du papier d'aluminium (remarque : le papier d'aluminium peut leur faire perdre leur croquant).

Si vous souhaitez congeler les gaufres, les laisser refroidir, puis les placer dans un sac de congélation, entre des feuilles de papier ciré. Les gaufres ainsi congelées pourront se réchauffer au four ou au grille-pain.

CONSEILS POUR DES CORNETS RÉUSSIS

Nous vous conseillons d'utiliser le réglage de température no. 4. Pour des cornets plus cuits et plus croquants, utiliser un réglage plus élevé

Pour que les cornets soient bien uniformes, verser la pâte au centre de la plaque inférieure et fermer immédiatement les plaques. Généralement, la pâte se répandra d'elle même sous le poids de la plaque supérieure. Toutefois, si la pâte est très épaisse, on pourra l'étaler (très rapidement) à l'aide d'une spatule thermorésistante.

Pendant le roulage, maintenir la pointe du cône en plastique le plus près possible du bord de la "gaufre". De cette façon, la pointe du cornet sera bien serrée et la glace ne coulera pas.

Laisser le cornet refroidir complètement avant de l'utiliser.

NETTOYAGE ET ENTRETIEN

Lorsque vous avez terminé, placer le cadran de réglage de température sur "1" et l'interrupteur sur "OFF", puis débrancher l'appareil. Ouvrir les plaques et les laisser refroidir avant de les nettoyer.

Ne jamais démonter le gaufrier pour le nettoyer. Éliminer les miettes à l'aide d'un pinceau à pâtisserie et essuyer les plaques avec une serviette en papier ou un linge sec pour absorber l'huile. Utiliser un linge humide au besoin pour éliminer y prévenir les taches et les résidus collants.

Important : Laisser les plaques refroidir avant de les nettoyer. S'il reste de la pâte sur les plaques, verser un peu d'huile dessus et attendre 5 minutes. Cela détrempera la pâte et aidera à nettoyer les plaques.

Essuyer le boîtier de l'appareil à l'aide d'un linge doux et sec. Ne pas utiliser de nettoyants abrasifs ou de tampons récurants. **NE JAMAIS PLONGER LE CORDON, LA PRISE OU L'APPAREIL DANS L'EAU OU TOUT AUTRE LIQUIDE.**

Toute autre réparation doit être effectuée par un service après-vente autorisé.

GARANTIE LIMITÉE D'UN AN

Waring garantit tout nouveau gaufrier/gaufrier à cornets Waring® Commercial contre tout vice de matière ou de fabrication pendant une période d'un an suivant sa date d'achat, à condition qu'il ait été utilisé uniquement avec des produits alimentaires, des liquides non-abrasifs (autres que des détergents) et des semi-liquides non-abrasifs, à condition que l'appareil n'ait pas été soumis à des charges excédant sa capacité maximale.

Au titre de cette garantie, Waring réparera ou remplacera toute pièce nous paraissant afficher un vice de matière ou de fabrication. Pour un service au titre de cette garantie, envoyez l'appareil, port payé, au service après-vente ci-dessous ou amenez-le à un centre de réparation agréé.

314 Ella T. Grasso Ave. Torrington, CT 06790.

Cette garantie a) n'est pas valable si l'appareil est endommagé, cassé, détérioré ou s'il affiche un vice ou défaut résultant de l'utilisation, de l'entretien ou de la réparation par des personnes non autorisées, ou consécutif à l'usage abusif ou inapproprié, à la surcharge ou à la modification de l'appareil ; b) ne couvre aucun dommage accessoire ou indirect.

Avertissement : Brancher cet appareil sur Courant Continu (C.C.) annulera la garantie.

WARING
COMMERCIAL

WARING COMMERCIAL
314 Ella T. Grasso Ave.
Torrington, CT 06790

©2011 Waring Commercial
314 Ella T. Grasso Ave.
Torrington, CT 06790
www.waringcommercialproducts.com

Printed in China
Impreso en la China
Imprimé en Chine

WW180/WW200/WWCM180/WWCM200/WWD180/WWD200 IB

11WC120522

IB-9894A