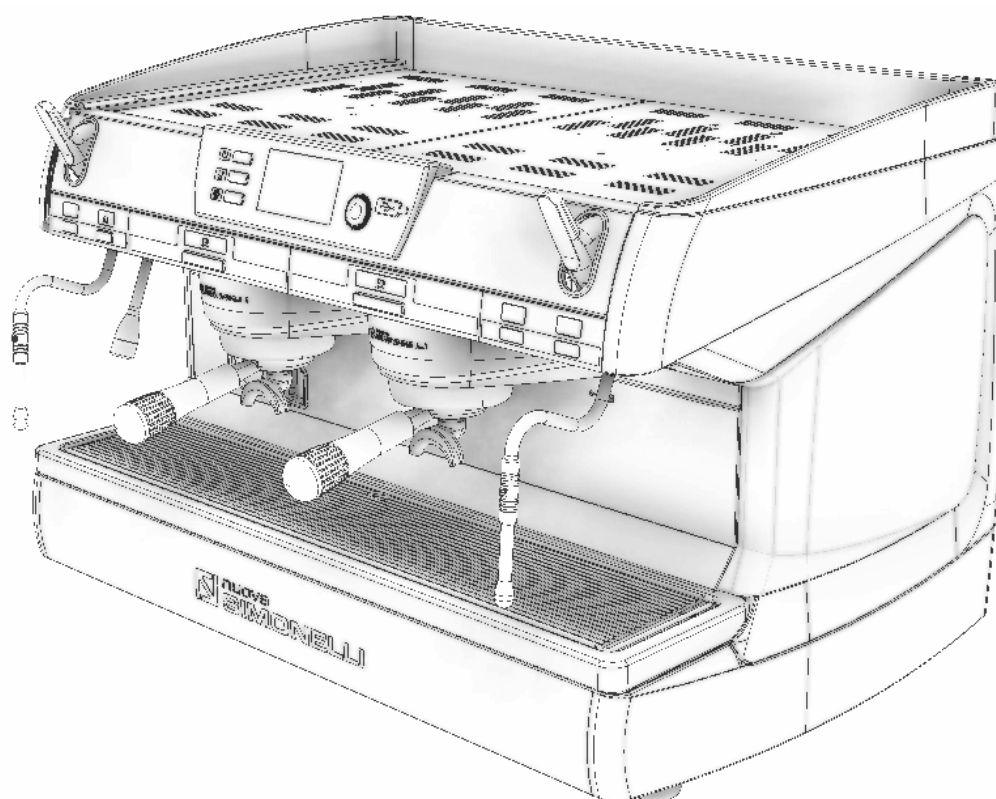


PRODOTTI / RICAMBI
PRODUCTS / SPARE PARTS
PRODUITS / PIÈCES DÉTACHÉES
PRODUKTE / ERSATZTEILE
PRODUCTOS / REPUESTOS

AURELIA II

Esplosi: T3 "2-3GR"

04/2015

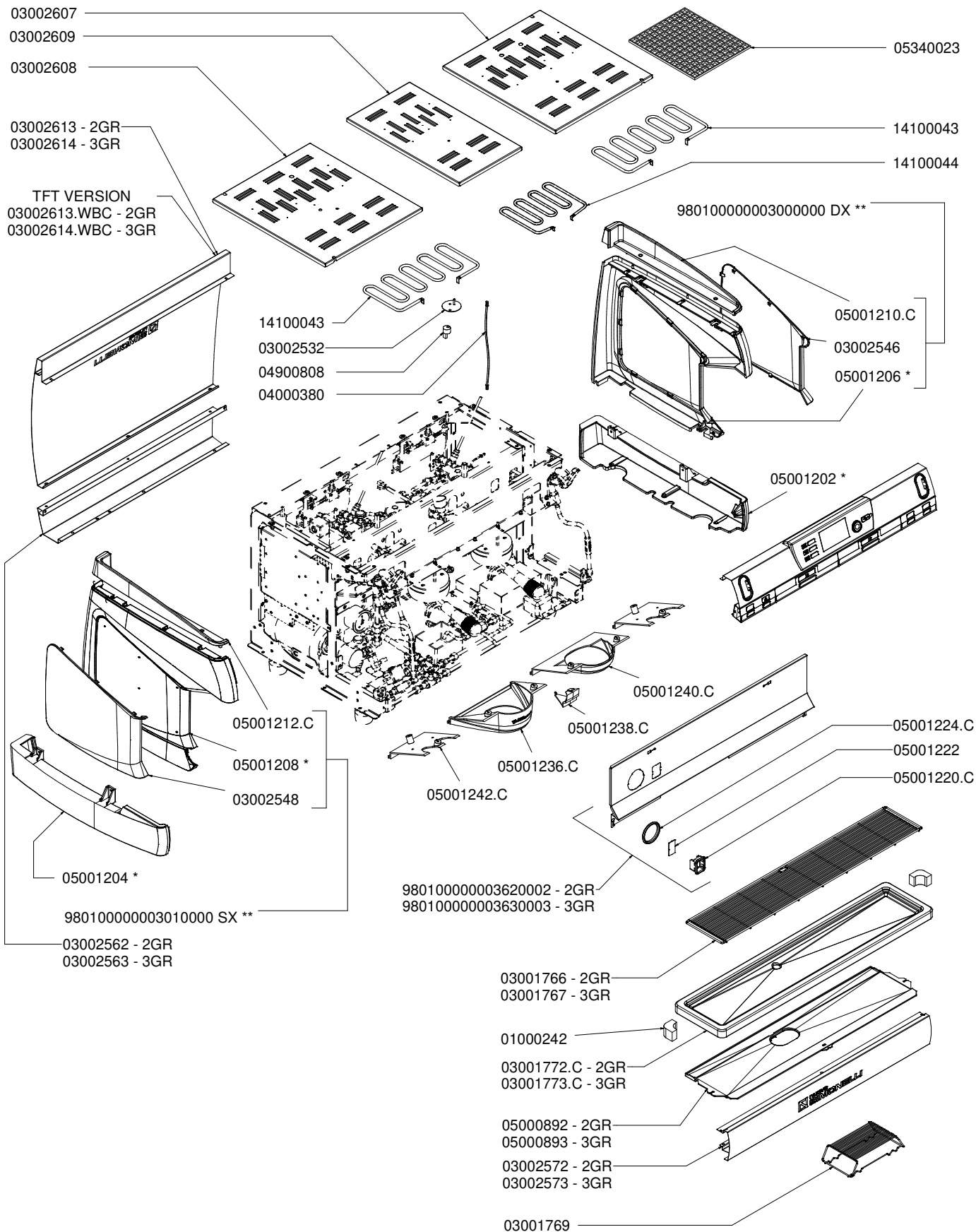


 nuova
SIMONELLI®

I N D E X

- » **TAB 01 – CABINET PARTS**
Componenti gruppo carena
- » **TAB 02 – CONTROL PANEL DISPLAY 16x2 VERSION**
Involucro comandi versione con display 2 righe
- » **TAB 02 TFT – CONTROL PANEL DISPLAY TFT VERSION**
Involucro comandi versione con display TFT
- » **TAB 03 – POURING UNIT GROUP PARTS T3**
Componenti gruppo erogazione T3
- » **TAB 04 – HYDRAULIC COMPONENTS**
Componenti idraulici
- » **TAB 05 – STEAM AND HOT WATER VALVE PARTS**
Rubinetti vapore e acqua calda
- » **TAB 06 – HOT/COLD WATER MIXER COMPONENTS**
Componenti miscelatore acqua calda
- » **TAB 07 – TUBES**
Tubazioni
- » **TAB 08 – EASY CREAM PARTS**
Componenti Easy Cream
- » **TAB 09 – HYDRAULIC GROUP PARTS**
Componenti gruppo idraulico
- » **TAB 10 – BOILER PARTS**
Componenti caldaie
- » **TAB 11 – FRAME PARTS**
Componenti telaio
- » **TAB 12 – ELECTRIC PARTS**
Componenti elettrici
- » **TAB 13 – ELECTRONIC PARTS**
Componenti elettronici
- » **TAB 14 – ELECTRIC COMPONENTS AND LIGHTS**
Componenti elettrici e luci

COMPONENTI GRUPPO CARENA CABINET PARTS

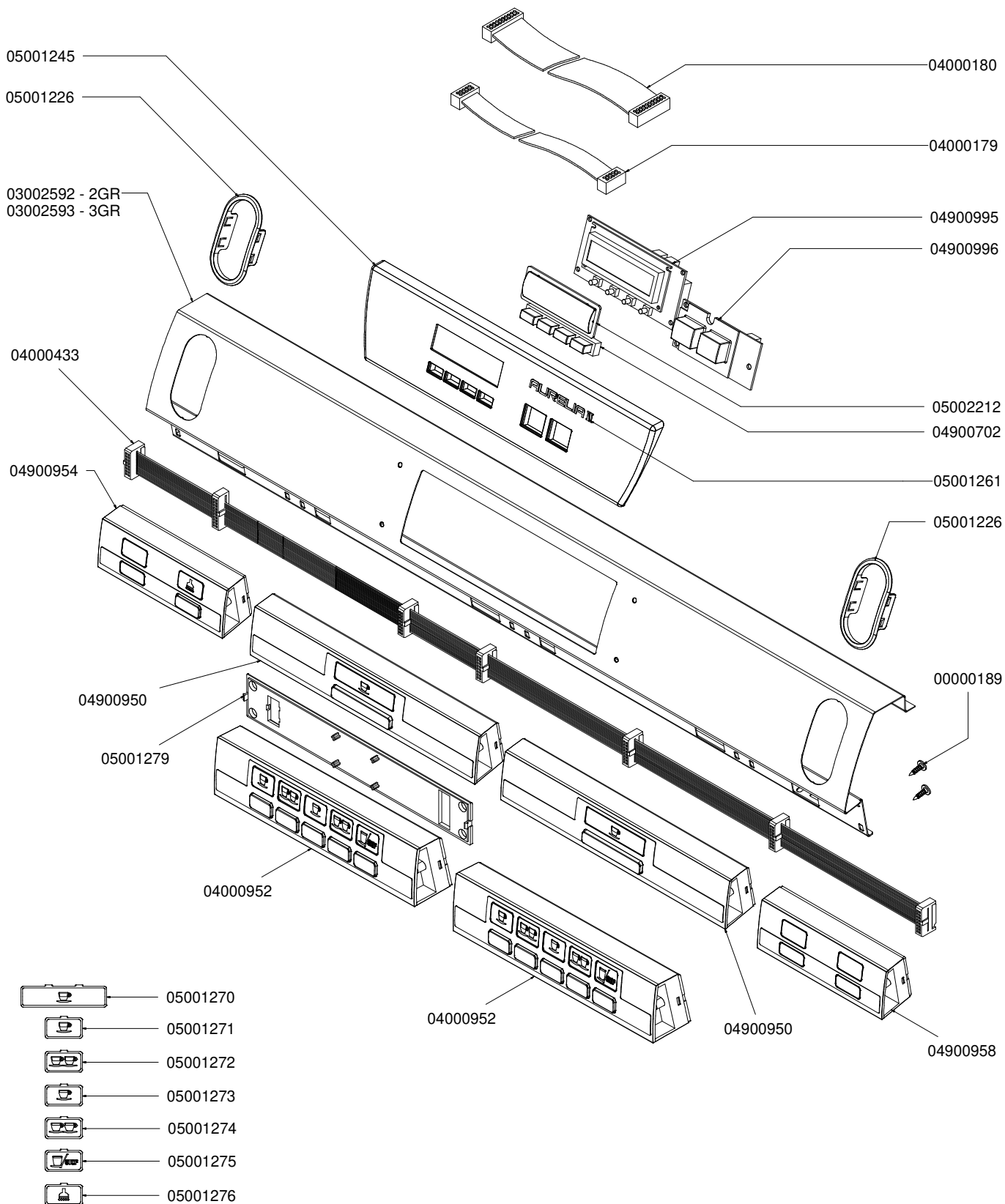


* = SPECIFICARE COLORE
** = SPECIFICARE VERSIONE
E COLORE

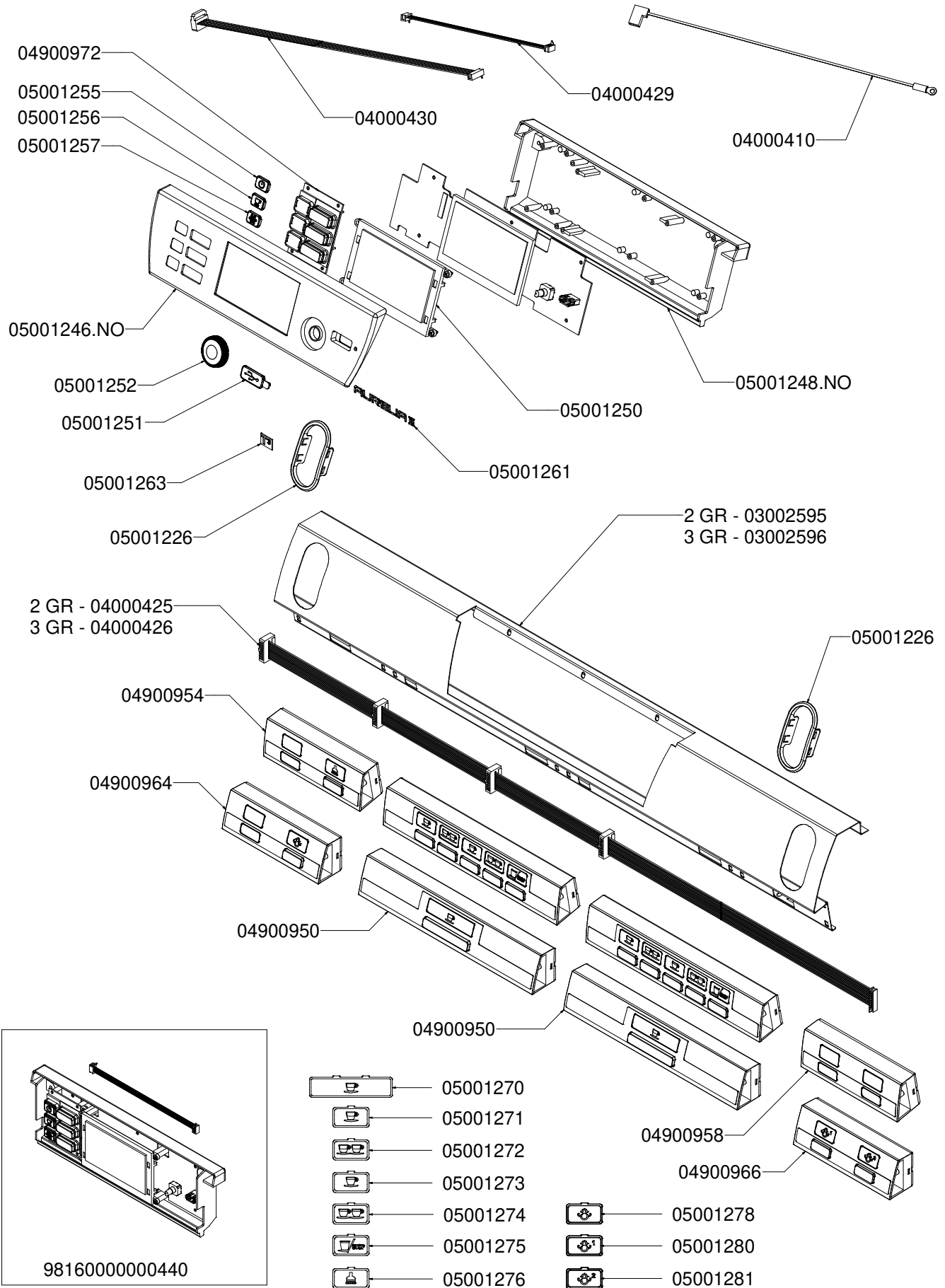
INVOLUCRO COMANDI DISPLAY 2 RIGHE

CONTROL PANEL DISPLAY 16x2

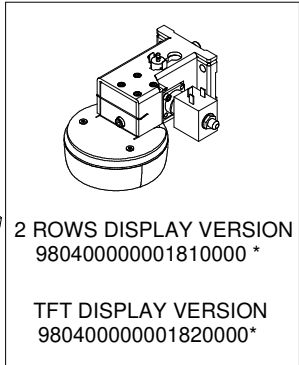
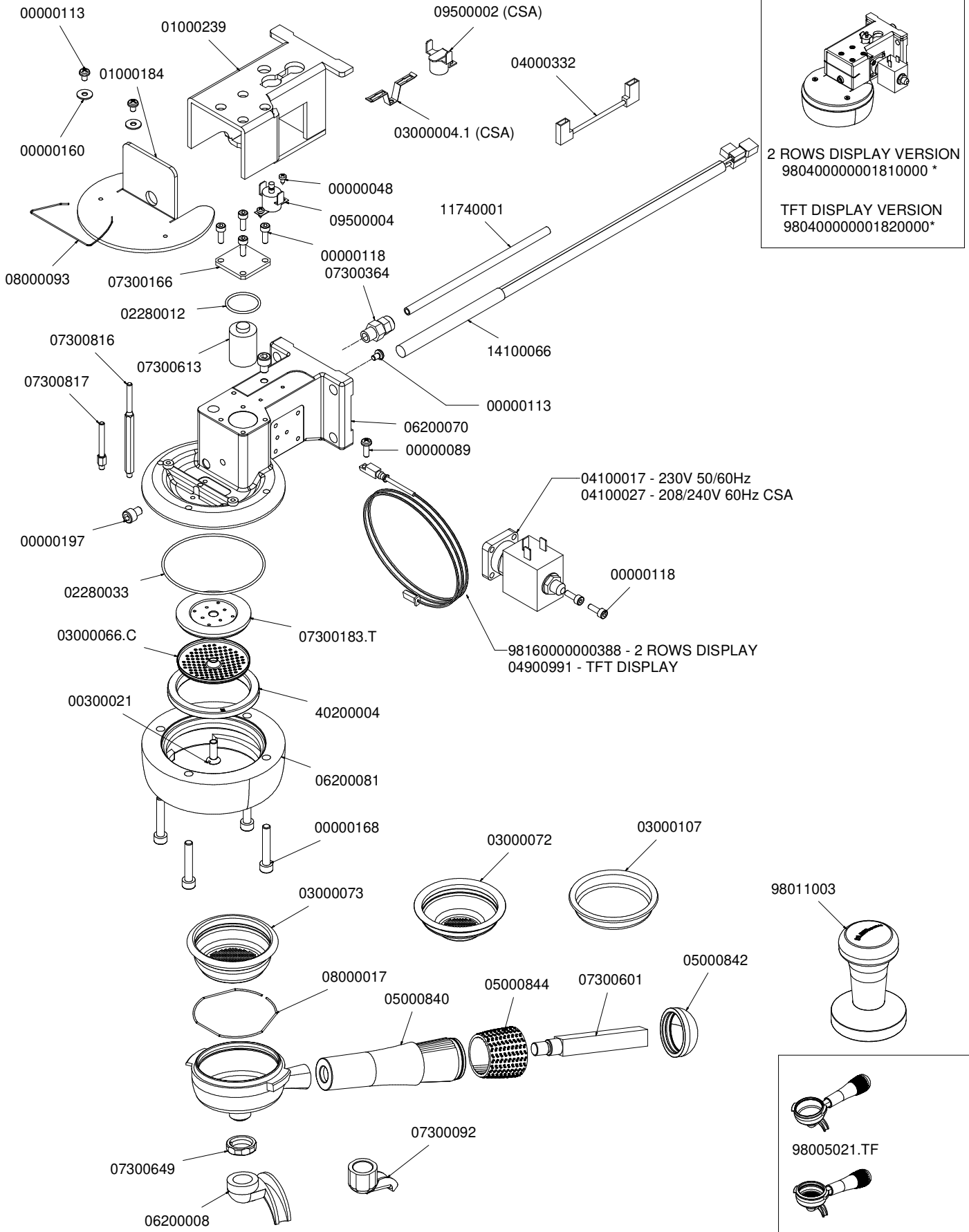
A
U
R
E
L
I
A
II
T
3



INVOLUCRO COMANDI T3 TFT CONTROL PANEL T3 TFT DISPLAY



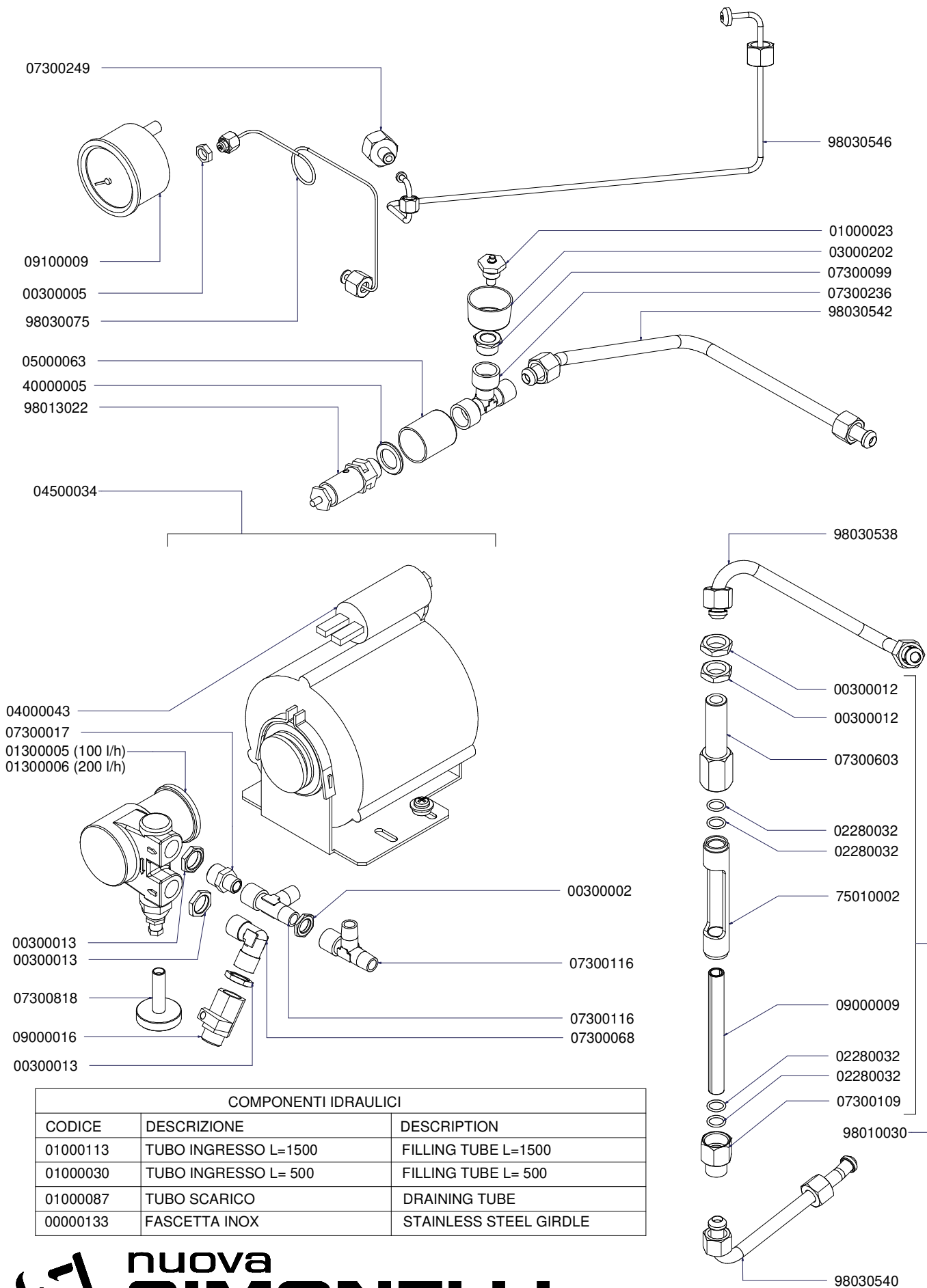
GRUPPO EROGAZIONE T3 POURING UNIT GROUP PARTS T3



A
U
R
E
L
I
A
II
T
3

COMPONENTI IDRAULICI HYDRAULIC COMPONENTS

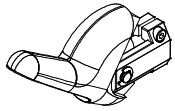
A
U
R
E
L
I
A
II
T
3



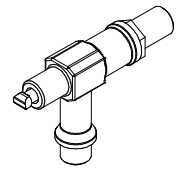
COMPONENTI IDRAULICI

| CODICE | DESCRIZIONE | DESCRIPTION |
|----------|----------------------|------------------------|
| 01000113 | TUBO INGRESSO L=1500 | FILLING TUBE L=1500 |
| 01000030 | TUBO INGRESSO L= 500 | FILLING TUBE L= 500 |
| 01000087 | TUBO SCARICO | DRAINING TUBE |
| 00000133 | FASCETTA INOX | STAINLESS STEEL GIRDLE |

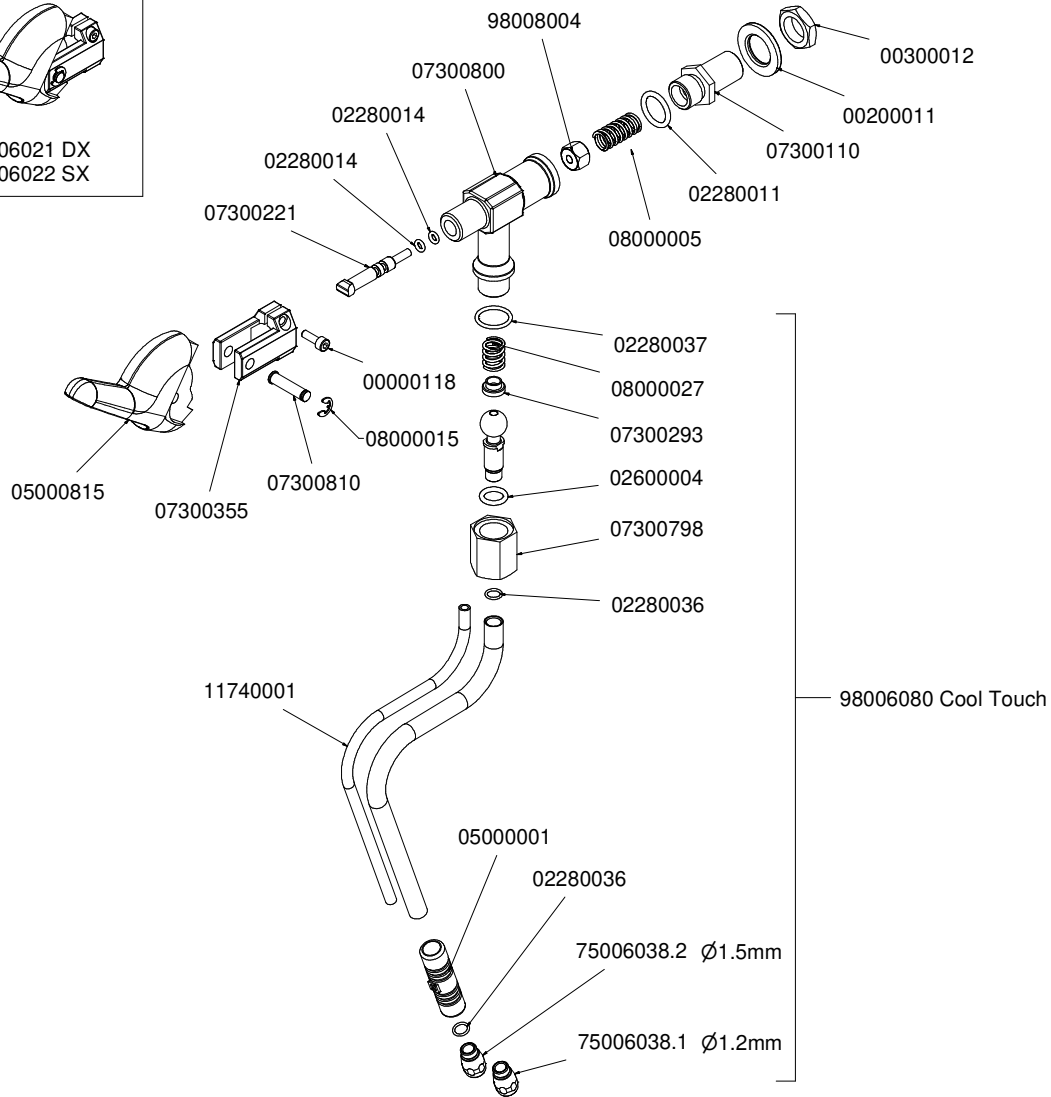
RUBINETTI VAPORE E ACQUA CALDA STEAM & HOT WATER VALVES PARTS



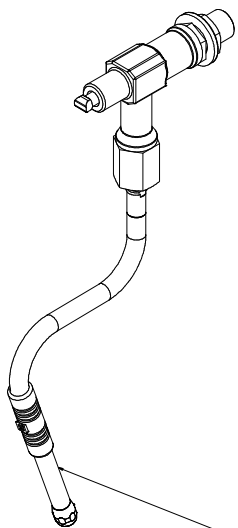
98006021 DX
98006022 SX



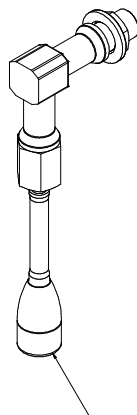
9806000000111



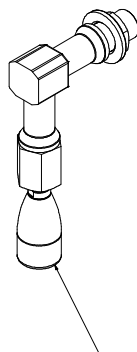
98006080 Cool Touch



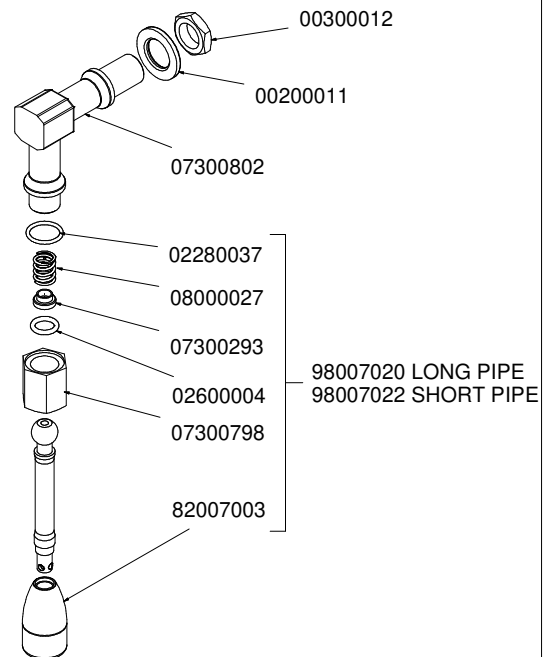
9806000000136 Cool Touch



98070000000050

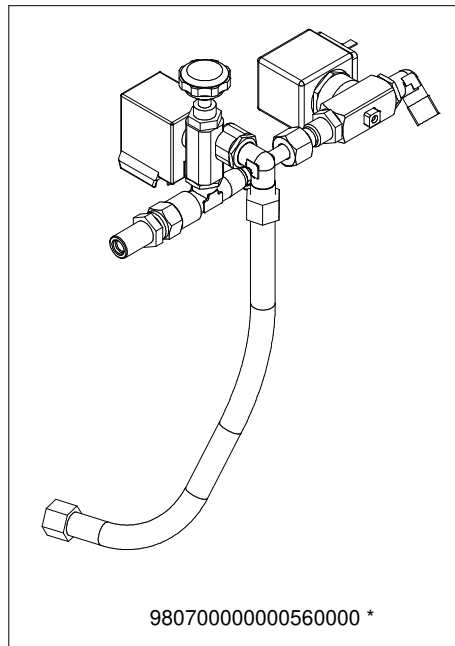
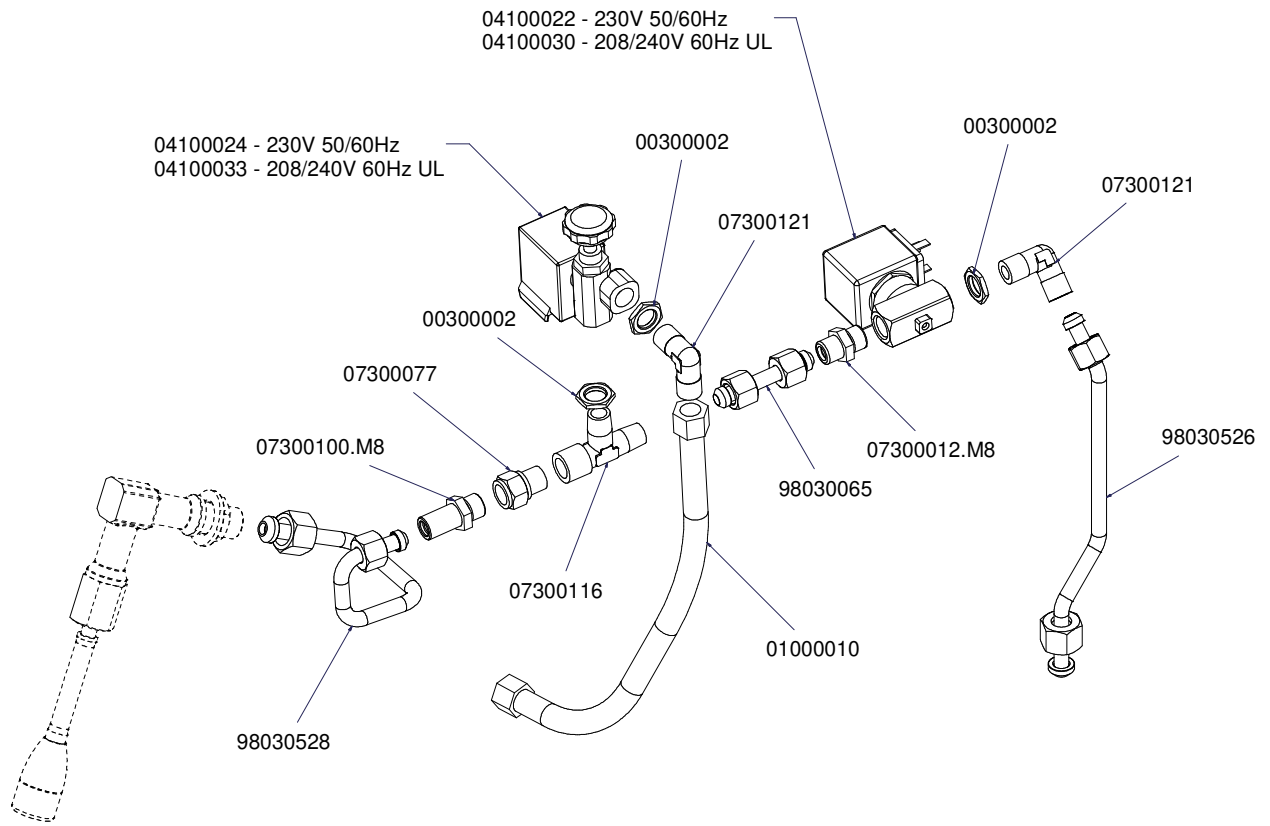


98070000000052



A
U
R
E
L
I
A
I
I
T
3

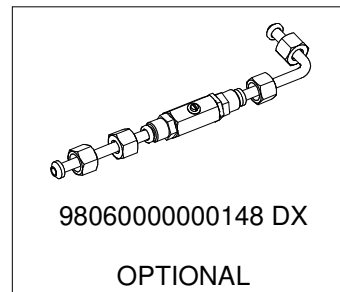
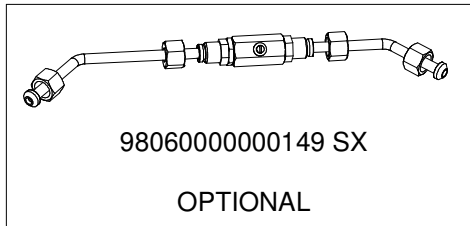
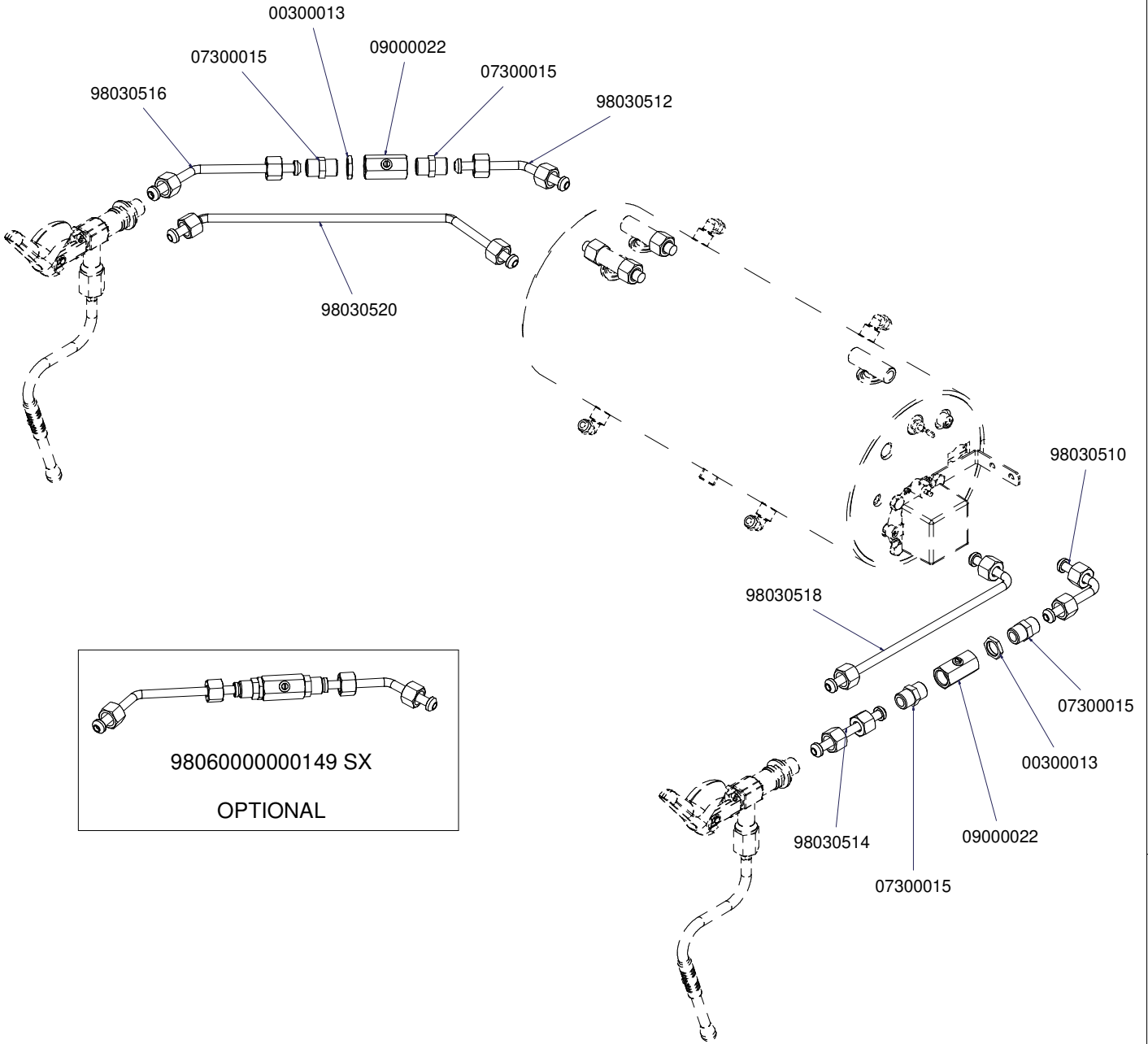
COMPONENTI MISCELATORE ACQUA CALDA HOT/COLD WATER MIXER COMPONENTS



* = SPECIFICARE VERSIONE

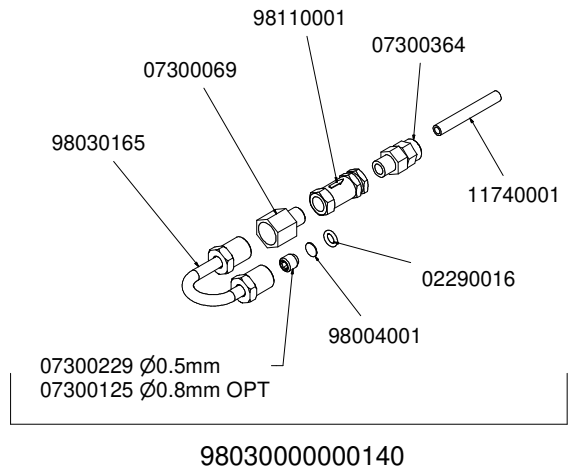
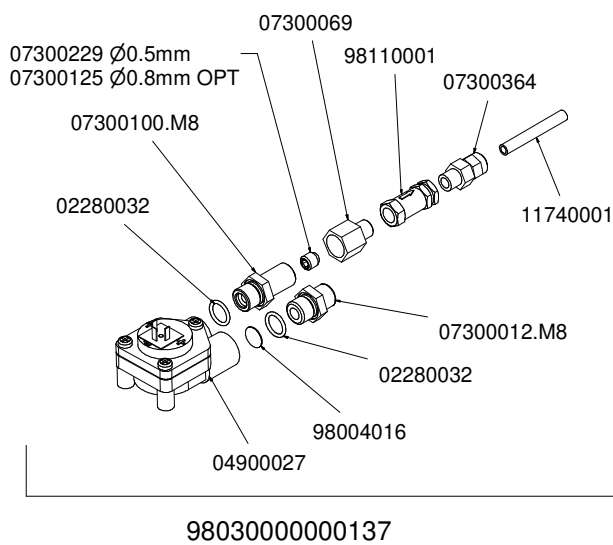
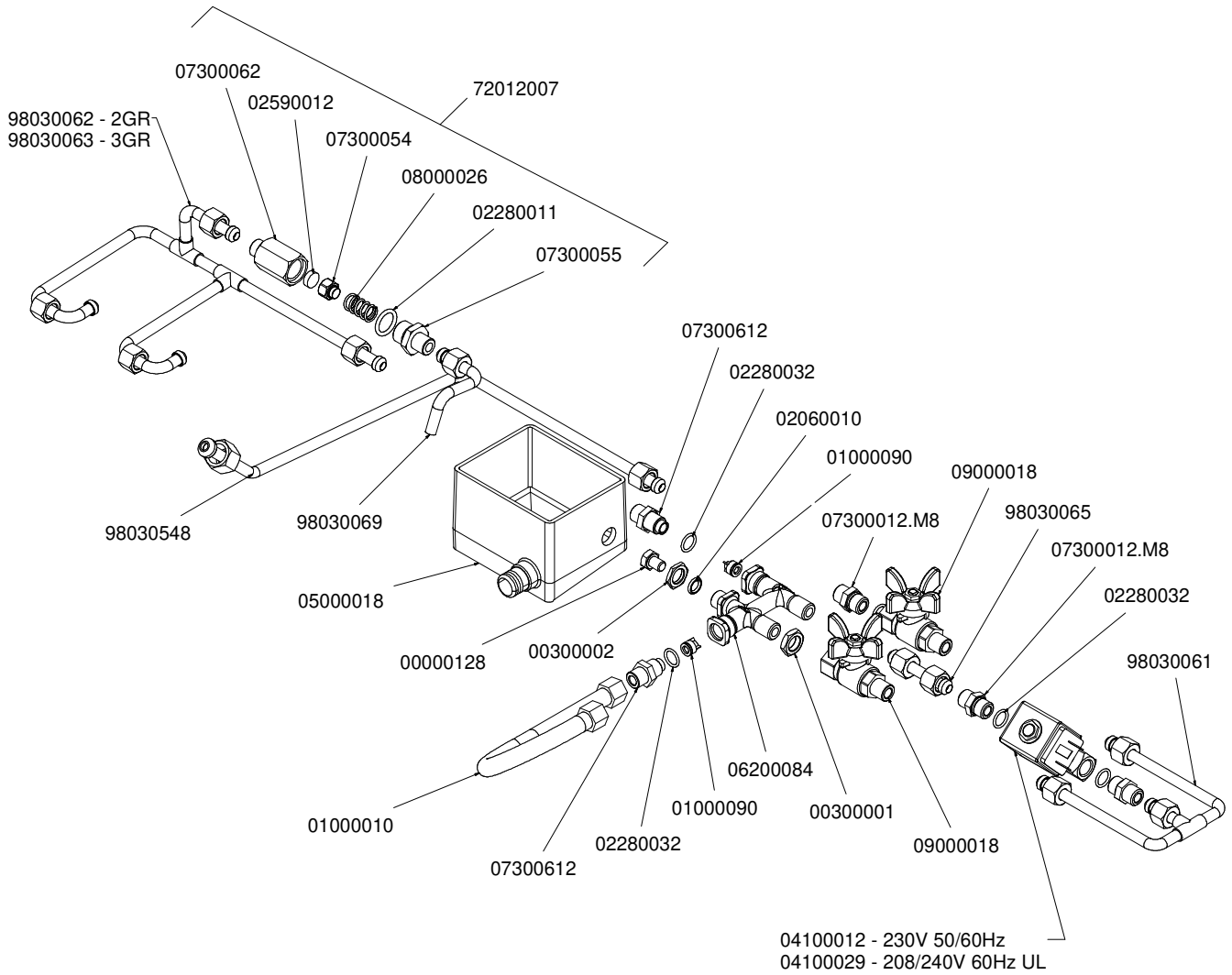
TUBAZIONI TUBES

A
U
R
E
L
I
A
I
I
T
3



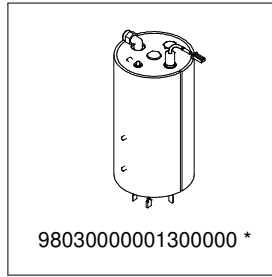
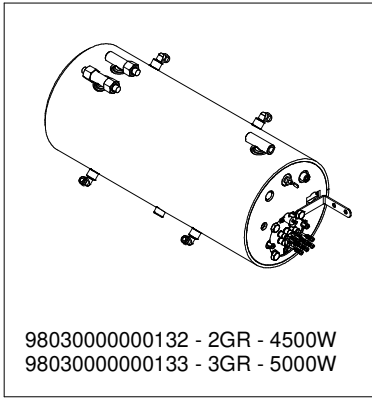
COMPONENTI GRUPPO IDRAULICO HYDRAULIC GROUP PARTS

A
U
R
E
L
I
A
I
I
T
3

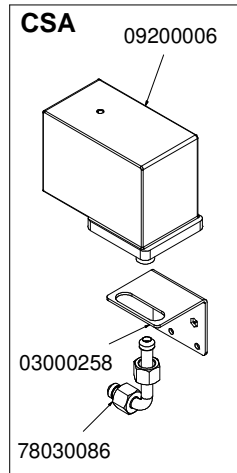
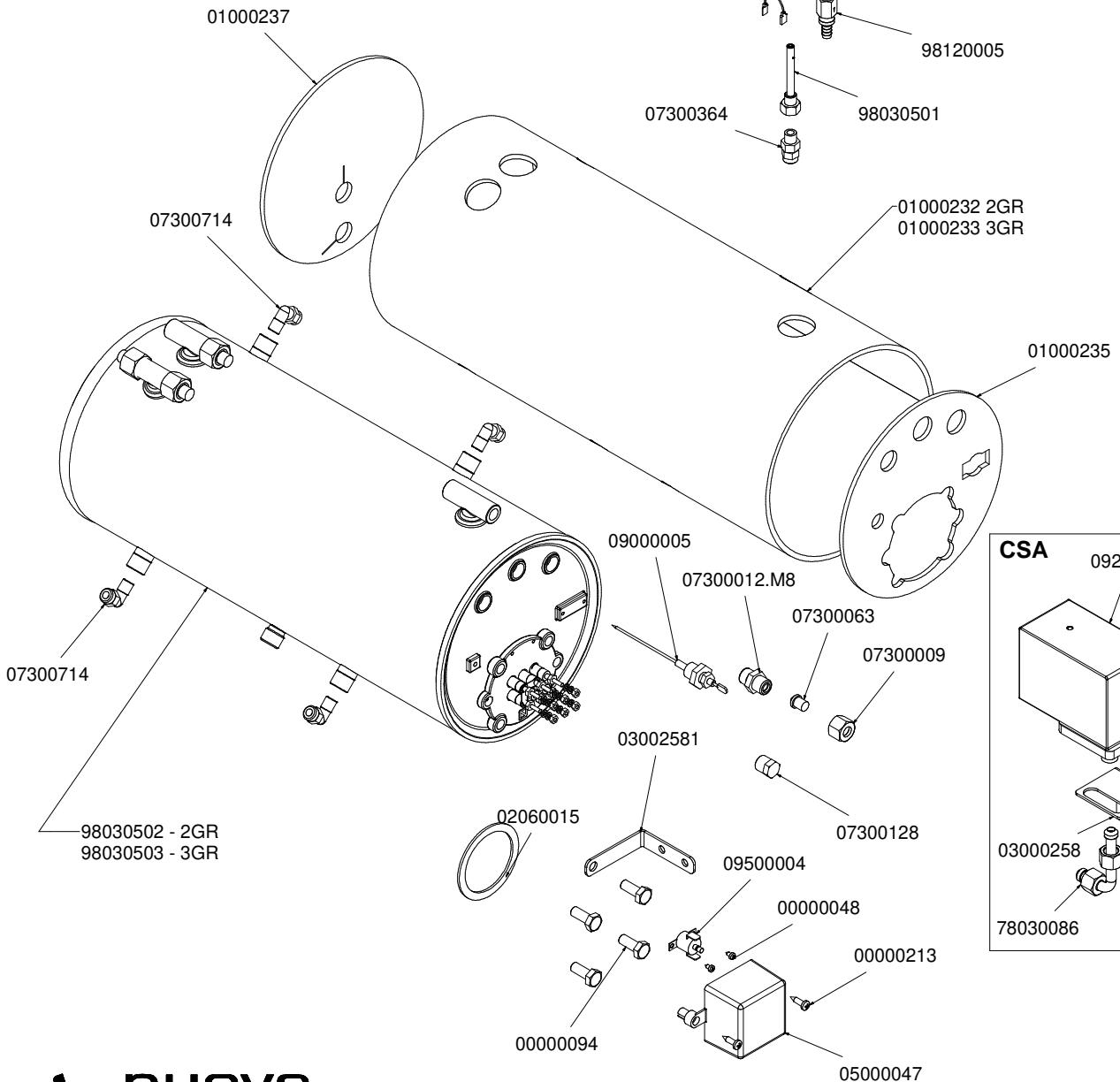
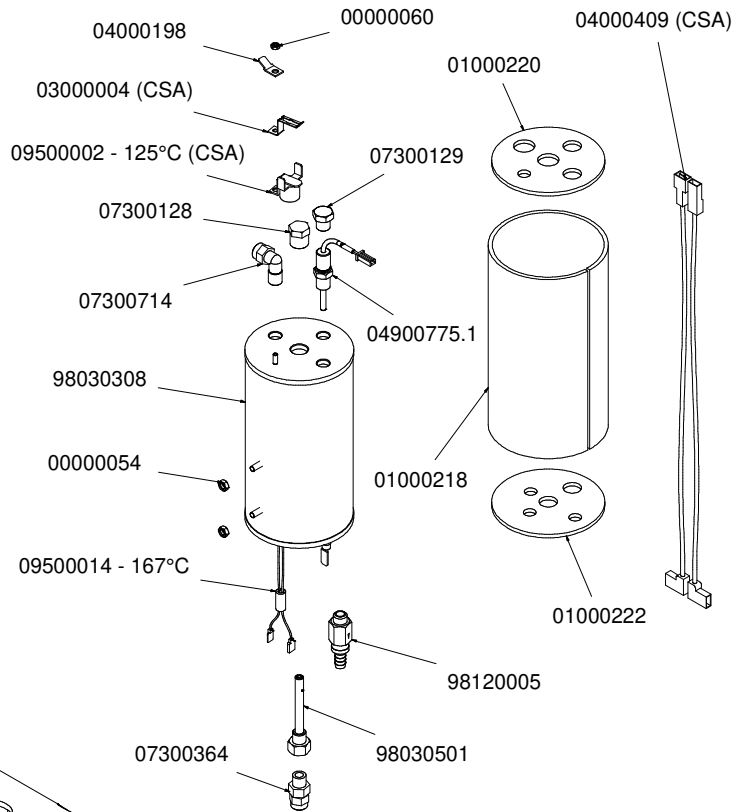


GRUPPO CALDAIE T3 BOILER PARTS T3

A
U
R
E
L
I
A
I
I
T
3

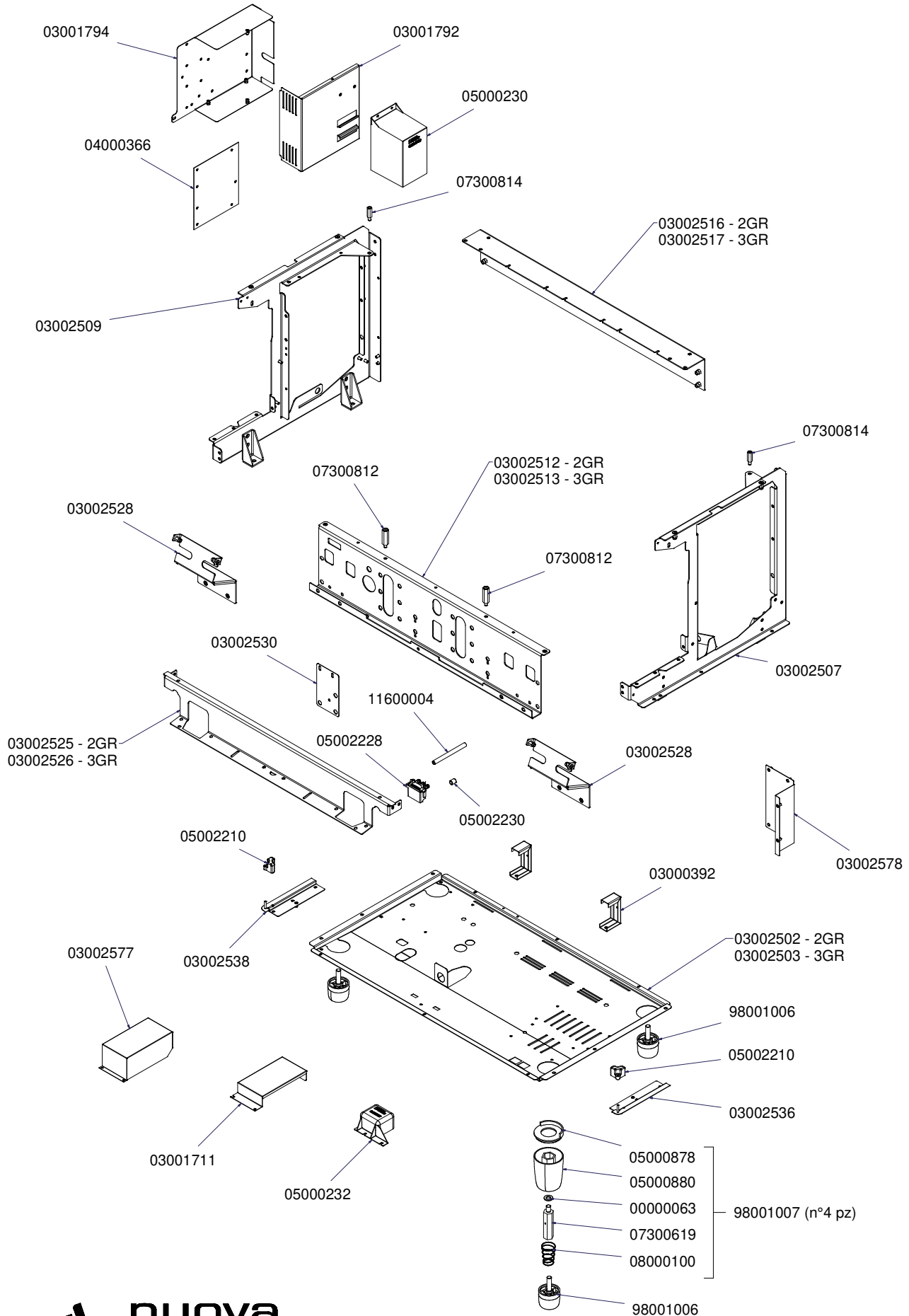


* = SPECIFICARE VERSIONE



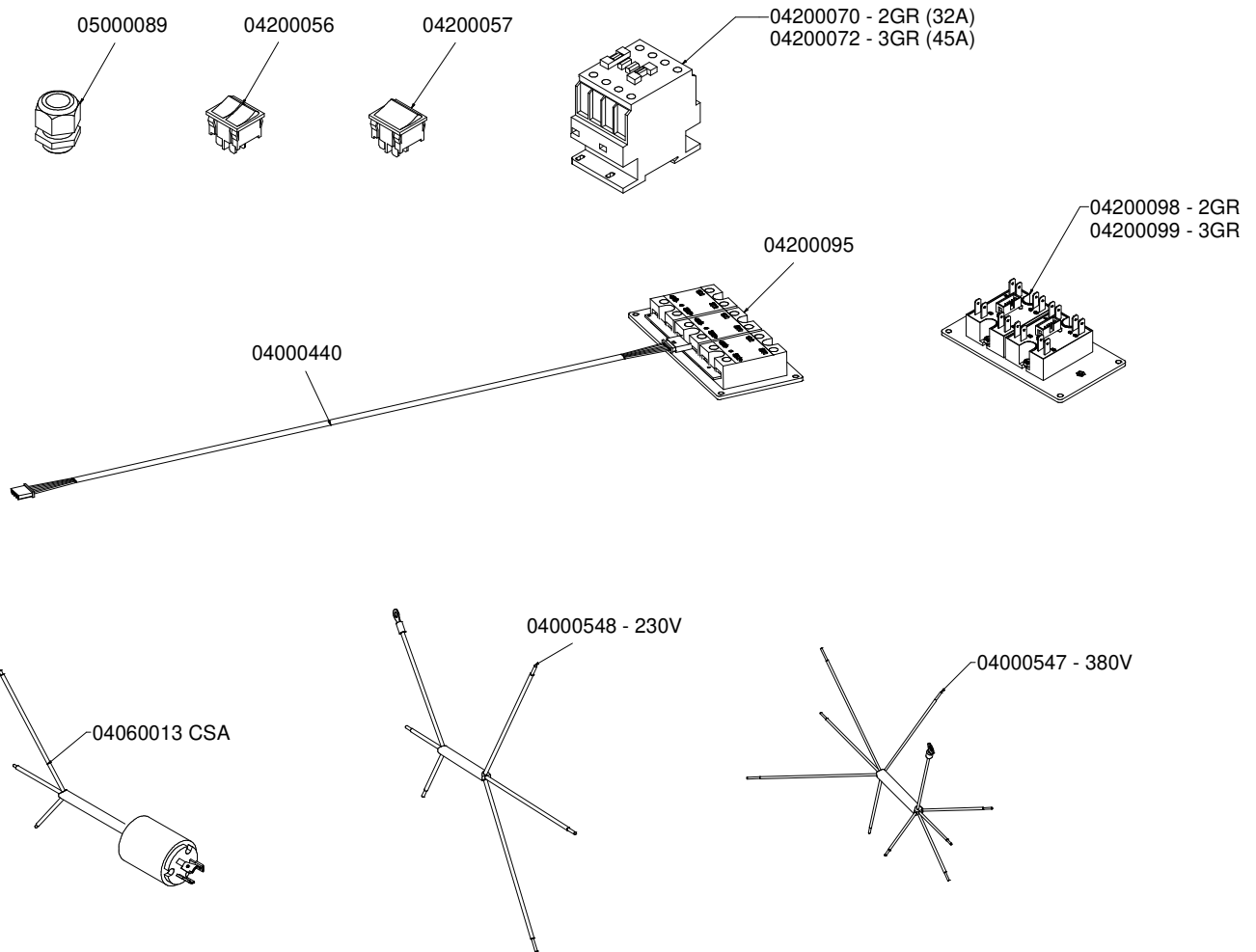
COMPONENTI TELAIO FRAME PARTS

A
U
R
E
L
I
A
I
I
T
3



COMPONENTI ELETTRICI ELECTRIC PARTS

A
U
R
E
L
I
A
I
I
T
3

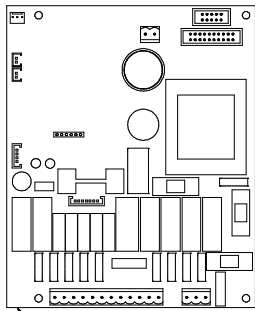


| CODICE - CODE | DESCRIZIONE | DESCRIPTION |
|---------------|---|--|
| 04000340 | CAVI TRASF. ALIMENTAZ. 380V-230V AURELIA-APPIA | CABLING FOR 400V TO 230V CONVERSION |
| 04000343.S | SUPPL. CABLAGGIO ELETTRICO AURELIA II S 2-3GR. | ADD. ELECTRICAL CABLING AURELIA II S 2-3 GR. |
| 04000386 | CABLAGGIO SCALDATAZZE 1 TEMP. 2GR. AURELIA II DIGIT-T3 | CUP WARMER CABLING AURELIA II T3 2GR. |
| 04000387 | CABLAGGIO SCALDATAZZE 1 TEMP. 3GR. AURELIA II DIGIT-T3 | CUP WARMER CABLING AURELIA II T3 3GR. |
| 04000400 | CABLAGGIO AURELIA II 2GR. | ELECTRICAL CABLING AURELIA II 2GR. |
| 04000401 | CABLAGGIO AURELIA II 3-4GR. | ELECTRICAL CABLING AURELIA II 3GR. |
| 04000404 | SUPPL. CABLAGGIO DOSATORI AURELIA II 2GR | ADD. FLOWMETER CABLE FOR AURELIA II 2GR. |
| 04000405 | SUPPL. CABLAGGIO DOSATORI AURELIA II 3-4GR | ADD. FLOWMETER CABLE FOR AURELIA II 3GR. |
| 04000406 | SUPPL. CABLAGGIO AURELIA II T3 2GR. | ADD. CABLING AURELIA II T3 2GR. |
| 04000407 | SUPPL. CABLAGGIO ALIMENTAZ. CENTRALINA SONDE MACCHINE T3 DISPLAY "2 RIGHE" | ADD. CABLING FOR TEMPERATURE PROBE BOARD AURELIA II T3 "2 ROWS" DISPLAY |
| 04000408 | SUPPL. CABLAGGIO AURELIA II T3 3GR. | ADD. CABLING AURELIA II T3 3GR. |

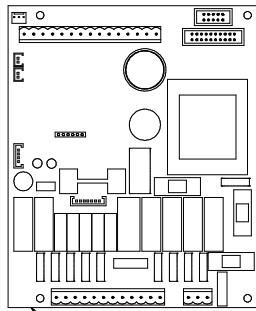
COMPONENTI ELETTRICI ELECTRONIC PARTS

A
U
R
E
L
I
A
I
I
T
3

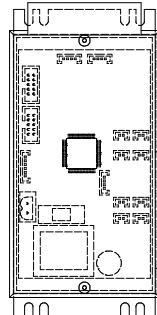
2 ROWS DISPLAY VERSION



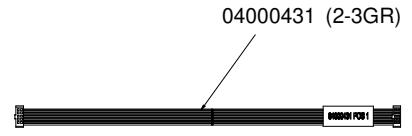
04900993 SEM



04900992 VOL



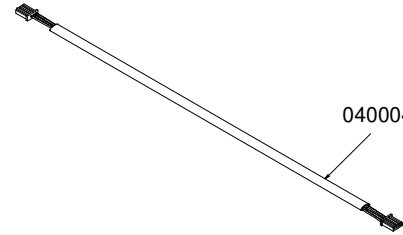
04900994



04000431 (2-3GR)

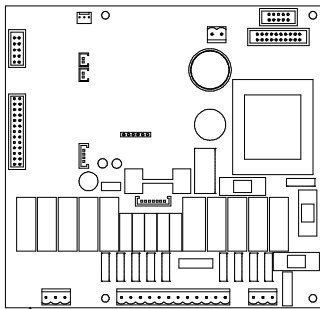


04000436 (3GR)

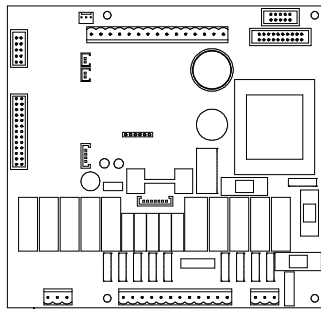


04000435

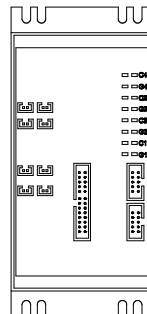
TFT DISPLAY VERSION



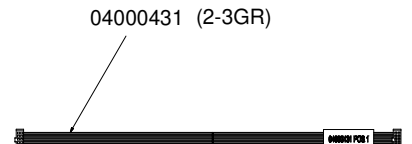
04900986 SEM



04900987 VOL



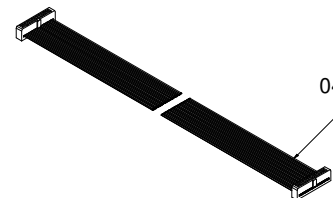
04900990



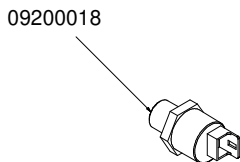
04000431 (2-3GR)



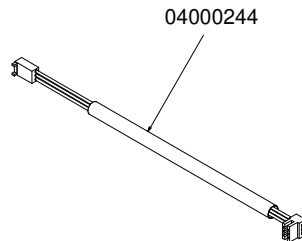
04000436 (3GR)



04000432



09200018

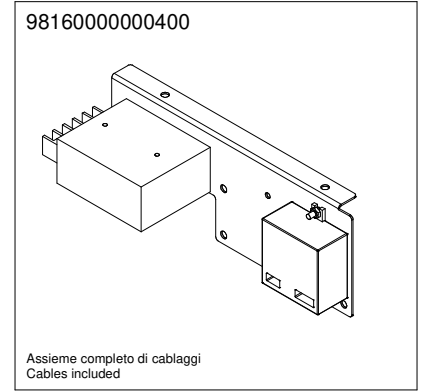
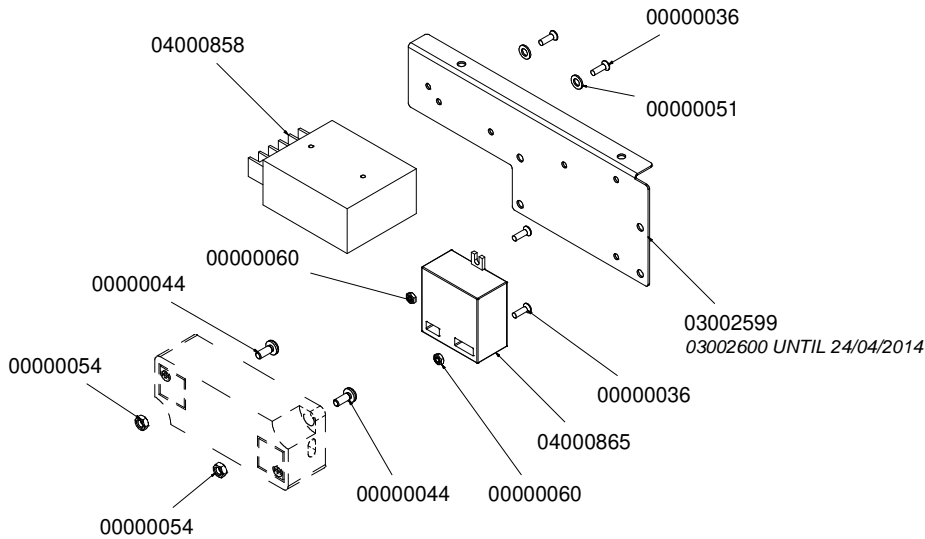


04000244

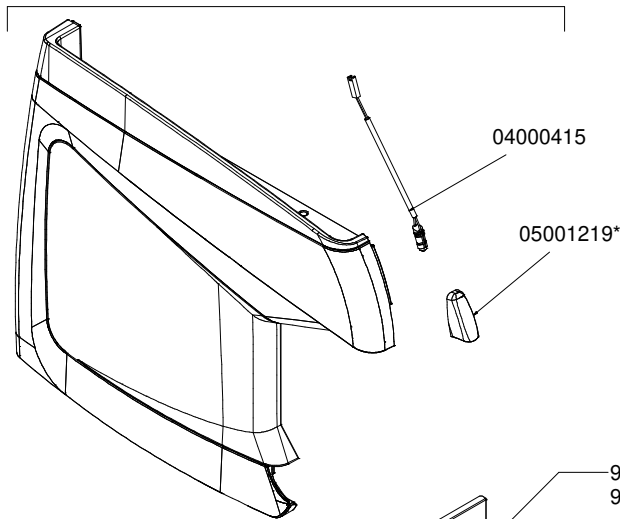
COMPONENTI ELETTRICI E LUCI ELECTRIC COMPONENTS AND LIGHTS

A
U
R
E
L
I
A
I
I

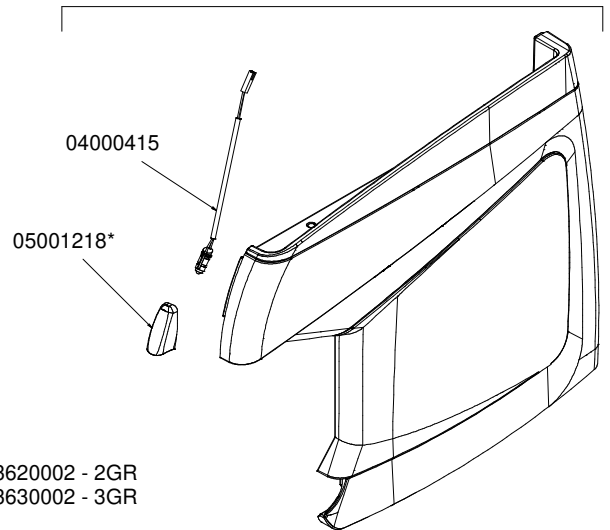
T
3



980100000003010000**



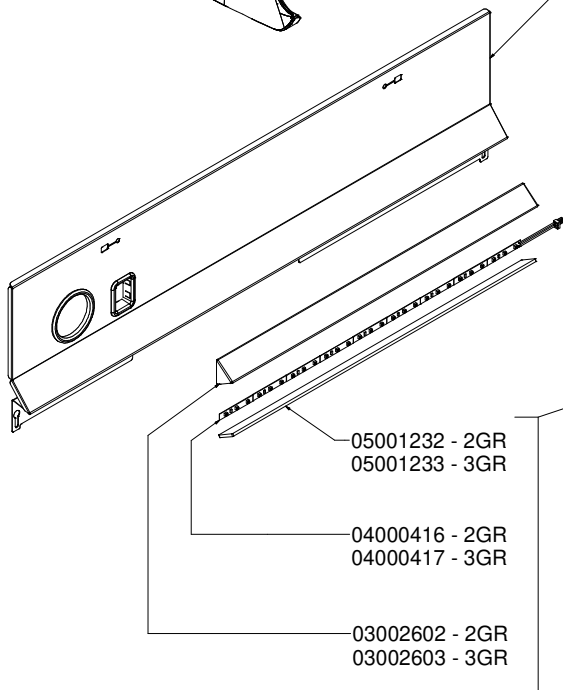
980100000003000000**



980100000003620002 - 2GR
980100000003630002 - 3GR

* = SPECIFICARE COLORE
SPECIFY COLOR

** = SPECIFICARE VERSIONE E COLORE
SPECIFY COLOR AND VERSION



98010000000308 - 2GR
98010000000309 - 3GR

| CODICE / CODE | DESCRIZIONE | DESCRIPTION |
|------------------------------|--|--|
| 04000412 | CABLAGGIO LUCI AURELIA II | LIGHT CABLING (DC SIDE) AURELIA II |
| 04000414 | CABLAGGIO ALIMENTAZIONE TRASFORMATORI LUCI AURELIA II | ELECTRICAL FEED CABLES (AC SIDE) LIGHT TRANSFORMER AURELIA II |
| 04000413 UNTIL 24/04/2014 | | |

| CODICE | DESCRIZIONE | DESCRIPTION | END VALIDITY |
|------------|--|---|--------------|
| 00000025 | VITE AQ M6x20 TC T.CR. ZINC | SCREW AQ M6x20 TC T.CR. GALVANIZED | |
| 00000026 | VITE AQ M4x12 TC T.CR. ZINC | SCREW AQ M4x12 TC T.CR. GALVANIZED | |
| 00000036 | VITE AQ M3x10 T SVP T.CR.ZINC | GALV. CROSSHEAD COUNTERSUNK SCREW M3x10 | |
| 00000048 | VITE AUTOF 2,9x4,5 TC/T.CR. | SELF-THREADING SCREW 2.9x4.5 TC/T.CR. | |
| 00000051 | RONDELLA D14xDe8 UNI 6592 | WASHER 4x8 | |
| 00000054 | DADO AQ M4 ALTO ZINCATO | NUT M4 HIGH GALVANISED NUT | |
| 00000060 | DADO AQ M3 MEDIO ZINCATO | NUT M3 MEDIUM GALVAN | |
| 00000063 | RONDELLA AQ D 10X21X2 ZN | WASHER AQ D 10X21X2 ZN | |
| 00000089 | VITE INOX M4x12 TC TCR DIN7985 | SS CROSS HEAD CAP SC | |
| 00000094 | VITE INOX M8x20 TE 5739 | STAINLESS STEEL HEX CAP SCREW M8x20 | |
| 00000096 | RONDELLA AQ M6 6,6X18X1.5 ZINC | GALVANISED WASHER M6 6,6x18x1,5 | |
| 00000113 | VITE INOX M4x6 TC T.CR. 7985 | SS CROSSHEAD CAP SCR | |
| 00000118 | VITE INOX M4x12 TCEI 5931 | SS HEX SOCKET CAP SCREW M4x12 | |
| 00000124 | RONDELLA D4.3X16X1.5 ZINC. | GALVANISED WASHER D4 3x16x1.5 | |
| 00000128 | VITE INOX M8x10 TE TUTTO FIL. | STAINLESS STEEL HEX CAP SCREW M8x10 | |
| 00000133 | FASCETTA INOX WD12 16-25 C7 W2 | STAINLESS STEEL GIRDLE WD12 16-25 C7 W2 | |
| 00000160 | RONDELLA INOX D4x12x1 UNI 6593 | STAINLESS WASHER D4X12 | |
| 00000168 | VITE INOX M6x35 TCEI 5931 | STAINLESS STEEL HEX SOCKET CAP SCREW M6x35 | |
| 00000189 | VITE 3,2x13 PASSO RAPIDO ZINC.TC PIANA D.8 | SELF-TAPPING CROSS HEAD CAP SCREW 3,2x13 | |
| 00000197 | VITE INOX M6x8 TCEI ISO 4762 | STAINLESS HEX SOCKET CAP SCREW M6x8 | |
| 00000213 | VITE AUTOF 4,2x16 TC T.CR. ZIN | SELF-TAPPING CROSS HEAD CAP SCREW 4,2x16 | |
| 00200011 | RONDELLA AQ M16 17X30X3 ZINC | GALVANISED WASHER M16 17x30x3 | |
| 00300001 | DADO OT 1/4 GAS SPESS.5 CH18 *AGG. 22.07.96 | BRASS NUT 1/4 GAS SPESSOR 5 | |
| 00300002 | DADO OT 1/4 SPESS.3 CH18 AGG. 22.07.96 | BRASS NUT 1/4 SPESSOR 3 | |
| 00300002 | DADO OT 1/4 SPESS.3 CH18 AGG. 22.07.96 | BRASS NUT 1/4 SPESSO | |
| 00300005 | DADO OT 1/8 GAS AGG.22.07.96 SPESS.4 CH13 | BRASS NUT 1/8 GAS SPESSOR 4 | |
| 00300012 | DADO OT 3/8 GAS CH22 SPESS.6 AGG. 22.07.96 | BRASS NUT 3/8 GAS SPESSOR 6 HEX 22 | |
| 00300013 | DADO OT 3/8 GAS SPESS.4 CH20 AGG.22.07.96 | BRASS NUT 3/8 GAS SPESSOR 4 | |
| 00300021 | VITE INOX M6x18 TSP TC DIN963 | SS SLOTTED COUNTERSUNK SCREW M6X18 DIN963 | |
| 01000010 | TUBO FLESS.INOX 1/4-F.F. L=300 | STAINLESS STEEL FLEXIBLE TUBE 1/4 F-F L.300 | |
| 01000023 | VALVOLINA SFIATO | ANTI VACUUM VALVE | |
| 01000030 | TUBO FLESS INOX 3/8 FF L=500 | STAINLESS STEEL FLEXIBLE TUBE 3/8 F-F L.500 | |
| 01000087 | TUBO SCARICO 18x24,4 | DRAINING TUBE 18x24,4 | |
| 01000090 | VALVOLINA DI RITEGNO CO10 | RETAINING VALVE CO10 | |
| 01000108 | RUBINETTO MRF 1/8 F-F 604 | NEEDLE VALVE MRF 1/8" F-F | |
| 01000113 | TUBO FLESS INOX 3/8 A 90° F. -3/8 F. L=1500 | SS FLEXIBLE TUBE 3/8 90° BENDED 3/8 F-F L1500 | |
| 01000184 | ISOLANTE GRUPPO EROGAZIONE ADONIS | INSULATOR BREWING GR | |
| 01000218 | ISOLANTE CALDAIA D80 155x252,7 | BOILER INSULATION D. | |
| 01000220 | ISOLANTE SUPER. D.80 CALDAIA | BOILER UPPER INSULAT | |
| 01000222 | ISOLANTE INFER. D.80 CALDAIA | BOILER LOWER INSULAT | |
| 01000232 | ISOLANTE CALDAIA 2GR AURELIA II T3 | HEATER ISOLATING 2 GR AURELIA II T3 | |
| 01000233 | ISOLANTE CALDAIA 3GR AURELIA II T3 | BOILER INSULANT AURELIA II T3 | |
| 01000235 | ISOLANTE D.180 DX CALDAIA AURELIA II T3 | RIGHT BOILER INSULANT AURELIA II T3 | |
| 01000237 | ISOLANTE D.180 SX CALDAIA AURELIA II T3 | LEFT BOILER INSULANT AURELIA II T3 | |
| 01000239 | ISOLANTE GRUPPO EROG. AURELIA II T3 | GROUP INSLUANT AURELIA II T3 | |
| 01000242 | INSERTO ADESIVO PER POSIZIONE PIATTO RACC.ACQUA AURELIA II | ADHESIVE INSERT FOR PLATE AURELIA II | |
| 01300005 | POMPANTE VOLUMETRICO 100 lt/h OT-57 | VOLUMETRIC PUMP 100 Lt/h | |
| 01300006 | POMPANTE VOLUMETRICO 200 lt/h OT-57 | VOLUMETRIC PUMP 200 Lt/h | |
| 02060010 | OR RAME 8,3x13xh1,9 DN8 | COPPER GASKET O RING 8.3x13x1.9 ND8 | |
| 02060015 | GUARNIZIONE PTFE 067x054x2 | GASKET FOR HEATING ELEMENT 067x054x2 | |
| 02280011 | GUARN. OR R11 D19 EP 851 | GASKET O RING R11 D19 EP 851 | |
| 02280012 | GUARN. OR 2093 D.27 VITON DF 801 | GASKET O RING 2093 D.27 EP851 | |
| 02280014 | GUARN. OR D7 AN2/OR102 SILICON7XL1715 | GASKET O RING D.7 AN2/OR102 SILICON | |
| 02280032 | GUARN. OR 114 D.15 EP 851 | GASKET O RING 114 D.15 EP 851 | |
| 02280033 | GUARN. OR 75,92x1,78 NBR XP70 2300 | GASKET O RING 75.92x1.78 NBR XP70 | |
| 02280036 | GUARN. OR x BECCO LANCIA VAP. D.10 EPDM70 | GASKET OR x STEAM WAND NOZZLE | |
| 02280037 | GUARN. OR CHIUSURA SNODO 16x2 NBR70 | GASKET OR JOINT LOCK 16x2 | |
| 02290016 | GUARN. OR D 9,5 R5 SILICONE R. | GASKET OR D 9,5 R5 SILICONE RED | |
| 02590011 | GUARNIZ.PISTONCINO 14,4X6X4,5 SILICONE ROSSO SR 80 | PISTON GASKET 14,4X6X4,5 | |
| 02590012 | GUARNIZ.PISTONCINO D 12X4 SILICONE ROSSO | EXPAN. VALVE PISTON GASKET D.12x4 RED SILICON | |
| 02600004 | GUARN. OR 15,2x10,2x2,5 TEFLONx SFERA LANCIA VAPORE | GASKET OR - 15.2 x 9.9 x 2.6 TEFLON | |
| 03000004 | STAFFA SINGOLA x TERMOSTATO | STEEL HOLDER FASTOM | |
| 03000004.1 | STAFFA DOPPIA x TERMOSTATO | DOUBLE BRACKET FOR T | |
| 03000066.C | DOCCIA INOX Aisi304 56x5,5x DI 6 CIANFRINATA | INOX SHOWER 56x5,5x DI 6 CHAMFERED | |
| 03000073 | FILTRO 2 CAFFE' ALTO 14 gr. | FILTER TWO COFFEE HIGH REPLACE 03000322 | |
| 03000107 | FILTRO CIECO | BLIND FILTER | |
| 03000202 | VASCETTA RACC.CONDENSE MASTERAGG. 07.06.97 | CONDENSATION TRAY MASTER | |
| 03000258 | SUPPORTO PRESSOSTATO P/1-MAC1 | PRESSURE SWITCH SUPPORT P/1-MACH 1 | |
| 03000392 | SUPPORTO CALDAIA MAC96 AGG.13/03/2006 | BOILER SUPPORT | |
| 03001711 | LAMIERA COPERT. RELE' CALDAIA | STATIC CONTACTORS BOILER COVER | |
| 03001766 | RETINA PIANO LAVORO 2 GR. | WORK GRILL 2 GR. | |
| 03001767 | RETINA PIANO LAVORO 3 GR. | WORK GRILL 3 GR. | |
| 03001769 | SUPP. TAZZINE INOX | AURELIA RAISED CUP STAND | |
| 03001772.C | PIATTO RACCOGLIACQUA 2 GR. CON BORDO LUCIDO | DRAIN TRAY 2 GR. POLISH | |
| 03001773.C | PIATTO RACCOGLIACQUA 3 GR. CON BORDO LUCIDO | DRAIN TRAY 3 GR. POLISH | |
| 03001792 | CHIUSURA CENTRALINA AURELIA | CONTROL BOARD COVER | |
| 03001794 | CONTENITORE CENTRALINA AURELIA | CONTROL BOARD CASE AURELIA | |
| 03002502 | BASAM. PORTANTE 2GR.AURELIA II | BASE PLATE AURELIA II 2GR. | |
| 03002503 | BASAM. PORTANTE 3GR.AURELIA II | BASE PLATE AURELIA II 3GR. | |
| 03002507 | FIANCO DX TELAIO AURELIA II | RIGHT SIDE FRAME AURELIA II | |
| 03002509 | FIANCO SX TELAIO AURELIA II | LEFT SIDE FRAME AURELIA II | |
| 03002512 | PARETE PORTAGR. 2GR.AURELIA II | GROUPS SUPPORT FRAME AURELIA II 2GR. | |
| 03002513 | PARETE PORTAGR. 3GR.AURELIA II | GROUPS SUPPORT FRAME AURELIA II 3GR. | |
| 03002516 | LAMIERA SUPER. POSTERIORE 2GR.AURELIA II | UPPER BACK SUPPORT AURELIA II 2GR. | |
| 03002517 | LAMIERA SUPER. POSTERIORE 3GR.AURELIA II | UPPER BACK SUPPORT AURELIA II 3GR. | |
| 03002525 | LAMIERA SUPP.INVOLUCRO COMANDI 2GR. AURELIA II | CONTROL PANEL SUPPORT AURELIA II 2GR. | |
| 03002526 | LAMIERA SUPP.INVOLUCRO COMANDI 3GR. AURELIA II | CONTROL PANEL SUPPORT AURELIA II 3GR. | |
| 03002528 | STAFFA SUP. RUBIN. AURELIA II | STEAM SUPPORT AURELIA II | |
| 03002530 | STAFFA SUP. MANOM. AURELIA II | GAUGE SUPPORT AURELIA II | |
| 03002532 | PIASTRINA SENSORE TEMPERATURA SCALDATAZZE | CUP WARMER TEMPERATURE PROBE PLATE | |
| 03002536 | LAMIERA POSIZIONE/PROTEZ. DX PIATTO RACC.ACQUA AURELIA II | DRAIN TRAY POSITION RIGHT PLATE AURELIA II | |
| 03002538 | LAMIERA POSIZIONE/PROTEZ. SX PIATTO RACC.ACQUA AURELIA II | DRAIN TRAY POSITION LEFT PLATE AURELIA II | |
| 03002546 | INSERTO INOX FIANCO DX AURELIA II | RIGHT INSERT SIDE S.S. AURELIA II | |
| 03002548 | INSERTO INOX FIANCO SX AURELIA II | LEFT INSERT SIDE S.S. AURELIA II | |
| 03002562 | LAMIERA RETRO INFERIORE 2GR. AURELIA II | REAR LOWER PLATE AURELIA II 2GR. | |

A
U
R
E
L
I
A
II
T3

| CODICE | DESCRIZIONE | DESCRIPTION | END VALIDITY |
|--------------|---|--|--------------|
| 03002563 | LAMIERA RETRO INFERIORE 3GR. AURELIA II | REAR LOWER PLATE AURELIA II 3GR. | |
| 03002572 | LAMIERA FRONTALE INFERIORE 2GR AURELIA II | LOWER FRONT PLATE AURELIA II 2GR. | |
| 03002573 | LAMIERA FRONTALE INFERIORE 3GR AURELIA II | LOWER FRONT PLATE AURELIA II 3GR. | |
| 03002577 | LAMIERA COPERTURA RELE' GR. CALDAIE CAFFE' AURELIA II T3 | COVER FOR COFFEE BOILER CONTACTOR | |
| 03002578 | LAMIERA SUPPORTO CENTRALINA GR.CALDAIE AURELIA II T3 | PID SUPPORT AURELIA II T3 | |
| 03002581 | STAFFA FISSAGGIO CALDAIA AURELIA II T3 | SUPPORT FOR STEAMBOILER AURELIA II T3 | |
| 03002592 | INVOLUCRO COMANDI 2GR. S-V AURELIA II | CONTROL PANEL HOUSING AURELIA II 2GR. S-V | |
| 03002593 | INVOLUCRO COMANDI 3GR. S-V AURELIA II | CONTROL PANEL HOUSING AURELIA II 3GR. S-V | |
| 03002595 | INVOLUCRO COMANDI 2GR. DGT-T3 AURELIA II | CONTROL PANEL HOUSING AURELIA II 2GR. DIGIT-T3 | |
| 03002596 | INVOLUCRO COMANDI 3GR. DGT-T3 AURELIA II | CONTROL PANEL HOUSING AURELIA II 3GR. DIGIT-T3 | |
| 03002599 | LAMIERA SUP.TRASFORMATORE LUCI AURELIA II | LED TRANSFORMER SUPPORT | |
| 03002600 | LAMIERA SUP.TRASFORMATORE LUCI AURELIA II | LED TRANSFORMER SUPPORT | 24/04/2014 |
| 03002601 | LAMIERA SUPPORTO COMPRESSORE AURELIA II | COMPRESSOR SUPPORT AURELIA II | |
| 03002602 | INVOLUCRO LUCI 2GR. AURELIA II | FRONT LED SUPPORT AURELIA II 2GR. | |
| 03002603 | INVOLUCRO LUCI 3GR. AURELIA II | FRONT LED SUPPORT AURELIA II 3GR. | |
| 03002607 | PORTATAZZE SUPER.DX AURELIA II 2-3-4 GR. | RIGHT UPPER CUPWARMER GRILL AURELIA II | |
| 03002608 | PORTATAZZE SUPER.SX AURELIA II 2-3-4 GR. | LEFT UPPER CUPWARMER GRILL AURELIA II | |
| 03002609 | PORTATAZZE SUPERIORE CENTRALE AURELIA II 3-4 GR. | CENTRAL UPPER CUPWARMER GRILL AURELIA II | |
| 03002613 | LAMIERA RETRO + MOSTRINA SUP. 2GR. AURELIA II | BACK PANEL AURELIA II 2GR. | |
| 03002613.WBC | LAMIERA RETRO + MOSTRINA SUP. 2GR. AURELIA II + LOGO "WBC" COLC | BACK PANEL+ UPPER SIDE COVER AURELIA II 2 GR + LOGO 'WBC' GREY | |
| 03002614.WBC | LAMIERA RETRO + MOSTRINA SUP. 3GR. AURELIA II + LOGO "WBC" | BACK PANEL + UPPER SIDE COVER 3GR AURELIA + LOGO 'WBC' | |
| 04000179 | CAVO 10 VIE DISPLAY/CENTR APPIA V 1 GR. + GUAINA | 10 WAYS CABLE | |
| 04000180 | CAVO 20 VIE DISPLAY/CENTR AGG. 07.10.97 | CABLE DISPLAY CTR 20 WAYS | |
| 04000198 | PRESA LAMELLARE M 6.3 d4.2 45 N | FOIL HOLDER M 6.3 D | |
| 04000244 | CAVO COLL.3P RAST 2.5/MOLEX L.800mm x TRASD. PRESS. 09200018 | 3 POLE CONNECTING CABLE RAST 2.5/MOLEX L = 800mm for PRESSURE | |
| 04000331 | CAVALLOTTO L=200 + FASTON F-F AWG18 MARRONE x MACIN.ILLY | EXTENSION L=130 + FASTON | |
| 04000332 | CAVALLOTTO L=85 + FASTON F-F A BANDIERA AWG18 MARRONE | EXTENSION L=85 + FASTON | |
| 04000340 | PONTICELLO TRASF. ALIMENTAZ. DA 380V A 230V AURELIA-APPIA | CABLING FOR 400V TO 230V CONVERSION | |
| 04000343.S | SUPPLEMENTO CABLAG.ELETTRICO AURELIA S 2-3 GRUPPI | ADDITIONAL ELECTRIC WIRING AURELIA S 2-3 GROUP | |
| 04000380 | CAVO COLL. SONDA SCALDATAZZE AURELIA L=100cm MOD.2 F-F | CUP WARMER SENSOR CONNECTING CABLE - AURELIA L=100 MOD.2 F-F | |
| 04000386 | CABLAGGIO SCALDATAZZE 1 TEMP. 2GR. AURELIA II DIGIT-T3 | CUPWARM WIRING 1 TEMP 2GR. | |
| 04000387 | CABLAGGIO SCALDATAZZE 1 TEMP 3GR. AURELIA II DIGIT-T3 | CUPWARM WIRING 1 TEMP 3GR. | |
| 04000400 | CABLAGGIO AURELIA II 2GR. | BASE WIRING SYSTEM AURELIA II 2GR. | |
| 04000401 | CABLAGGIO AURELIA II 3-4GR. | BASE WIRING SYSTEM AURELIA II 3-4GR. | |
| 04000404 | SUPPL. CABLAGGIO DOSATORI AURELIA II 2GR | FLOWMETER SUPPLY WIRING 2GR. | |
| 04000405 | SUPPL. CABLAGGIO DOSATORI AURELIA II 3-4GR | FLOWMETER SUPPLY WIRING 3-4GR. | |
| 04000406 | SUPPL. CABLAGGIO AURELIA II T3 2GR. | ADDITIONAL WIRING AURELIAII T3 2 GR | |
| 04000407 | SUPPL. CABLAGGIO ALIMENTAZ. CENTRALINA SONDE MACCHINE T3 | ADD. CABLING FOR TEMP PROBE BOARD AURELIA II 2 ROWS DISPLAY | |
| 04000408 | SUPPL. CABLAGGIO AURELIA II T3 3GR. | EXTRA WIRING AURELIA II 2GR | |
| 04000409 | CABLAGGIO TERMOSTATO CALDAIA CAFFE' AURELIA II T3 CSA | COFFEE TANK THERMOSTAT WIRING AURELIAII T3 | |
| 04000410 | CAVO COLL. TERRA "DISPLAY A COLORI" AURELIA II | GROUND CONNECTION CABLE AURELIA II 3-1 GR | |
| 04000412 | CABLAGGIO LUCI AURELIA II | LIGHT WIRING AURELIA II | |
| 04000413 | CABLAGGIO ALIMENTAZ.TRASF.LUCI AURELIA II - ADONIS | TRANSFORMER WIRING LIGHT AURELIA II - ADONIS | 24/04/2014 |
| 04000414 | CABLAGGIO ALIMENTAZ.TRASF.LUCI AURELIA II - ADONIS | TRANSFORMER WIRING LIGHT AURELIA II - ADONIS | |
| 04000415 | LED SPOT LANCE AURELIA II | LED STEAM WAND AURELIA II | |
| 04000416 | STRIP LED AURELIA II 2GR. | STRIP LED AURELIA II 2GR. | |
| 04000417 | STRIP LED AURELIA II 3GR. | STRIP LED AURELIA II 3GR. | |
| 04000425 | CAVO 16 VIE PULS. AURELIA II T3-DIGIT 2GR. "DISPLAY COLORI" | TOUCH PAD 16 LINES WIRING AURELIA II T3 DIGIT 2GR | |
| 04000426 | CAVO 16 VIE PULS. AURELIA II T3-DIGIT 3GR. "DISPLAY COLORI" | FLAT CABLE 16 WAYS AURELIA II T3-DIGIT 3 GR TFT | |
| 04000429 | CAVO 6 VIE COLL. TAST. SERVIZI SCHEDA "DISPLAY COLORI" | FLAT CABLE 6 WAYS FOR TOUCHPAD DISPLAY TFT | |
| 04000430 | CAVO 10 VIE COLL. CENTRALINA "DISPLAY A COLORI" | FLAT CABLE 10 WAYS CONTROL BOARD-TFT DISPLAY | |
| 04000431 | CAVO 10 VIE COLL.RELE' CALDAIE- CENTRALINA 2GR-3GR | FLAT CABLE 10 WAYS CONTROL BOARD-BOILERS SOLID STATE RELAY | |
| 04000432 | CAVO 26 VIE COLL. CENTR.-CENTR.CALDAIE "DISPLAY A COLORI" | FLAT CABLE 26 WAYS CONTROL BOARD -PID BOARD | |
| 04000433 | CAVO 16 VIE AURELIA II T3 2-3GR. DISPLAY 2 RIGHE-PULSANT. | 16 WAYS CABLE PANEL AURELIA II 2-GR. T3 "DISPLAY 2 LINES" | |
| 04000435 | CAVO SERIALE AURELIA II T3 COLL. CENTR. AVRREG-AUR4 DISPLAY 2 | SERIAL WIRE AURELIA II T3 | |
| 04000436 | CAVO 10 VIE COLL.RELE' CALDAIE- CENTRALINA 3GR | FLAT CABLE 10 WAYS CONTROL BOARD-BOILERS SOLID STATE RELAY | |
| 04000440 | CABLAGGIO COLLEG. RELE' CALDAIA L=1900 | WIRING FOR BOILER SOLID STATE RELAY L=1900 | |
| 04000547 | CAVO ELETTR. FROR 5x6 L=2mt | CABLE 5x6 L=2mt | |
| 04000548 | CAVO ELETTR. 3x6 H07RN-F 2mt CB -> ICEL <- | FLAT CABLE 3X6 H07RN-F 2 MT CB ->ICEL<- | |
| 04000858 | TRASF. LED RETRO ADONIS/MUSICAIN:100/240V OUT:12V CE/UL 15WRS | BACK LED TRANSFORMER ADONIS | |
| 04000865 | TRASFORMATORE LED GR. CE/UL | BREWING GROUP LED TRASFORMER ADONIS | |
| 04060013 | CAVO ALIM. AWG3x10 SJOOW 90°C UL/CSA 2mt SPINA USA ANGOLATA 50 | POWER CABLE AWG3x10 | |
| 04100012 | E.V. NC 2VIE 1/4-1/4 220-230V 50/60HZ VITON F1.5 CEPI | EV 2W 1/4 1/4 220-230V 50/60HZ VITON F1.5 CE | |
| 04100017 | E.V. NC 3VIE Basetta SCAR. 1/8220-230V 50/60Hz RUBY F1.5 CE | EV 3W DOWNL 1/8 220-230V 50/60Hz RUBY F1.5 CE | |
| 04100022 | E.V. NC 2VIE 1/4-1/4 220-230V 50/60Hz RUBINO F3 CE PI | 2 WAYS SOLENOID 1/4 F.3 220/230V 50/60Hz | |
| 04100024 | E.V. NC 2VIE 1/4 REGOLAT. 90° 230V 50/60Hz F.3 + MANOP. EPDMCE | 2 WAYS EV WITH REGULATOR | |
| 04100027 | E.V. NC 3VIE Basetta SCAR. 1/8208-240V 60Hz RUBY F1.3 UL | EV 3W DRAIN 1/8 208-240V 60Hz RUBY D1.3 UL | |
| 04100029 | E.V. NC 2VIE 1/4-1/4 208-240V 60Hz VITON F1.5 UL PI | E.V. 2VIE AL 220/240 50/60 UL | |
| 04100030 | E.V. NC 2VIE 1/4-1/4 208-240V 60Hz RUBY F3 UL PI | 2 WAYS SOLENOID 1/4 F.3 208-240V 60HZ UL | |
| 04100033 | E.V. NC 2VIE 1/4 REGOLAT. 90° 220V 60Hz F3 UL CANOT. Aisi316 | EV 2 WAYS 1/4 REGULATING 90° 220V 60Hz D3 UL | |
| 04100042 | E.V. NC 2VIE 1/8-1/8 220-230V 50/60Hz VITON F2 CE | 2 WAY VALVE NC 1/8"-1/8" 220/230VAC 50/60Hz D2 CE | |
| 04100058 | E.V. NC 2VIE 1/8-1/8 208-240V 60Hz VITON F2 UL | 2 WAY VALVE NC 1/8"-1/8" 208/240VAC 60Hz D2 UL | |
| 04100072 | E.V. NC 3VIE 1/4-1/4 SCAR.1/8 208/240V 50/60Hz F5 INOX | 3 WAY VALVE 208/240V 50/60Hz HOLE DIA 5mm | |
| 04200056 | INTERRUT. ACCENSIONE DOPPIO 10A UL 22x19 "AURELIA" | DOUBLE ON/OFF SWITCH | |
| 04200057 | INTERRUT. ACCENSIONE BIPOL. GRANDE 10A UL 22x19 "AURELIA" | ON/OFF SWITCH 10A UL 22x19 | |
| 04200070 | CONTATTORE QUADRIPOLARE 32A CE/UL BOBINA 230V | QUADRIPOLAR CONTRACTOR 32 A CE/UL COIL 230V AURELIA II T3 2GR | |
| 04200072 | CONTATTORE QUADRIPOLARE 45A CE/UL BOBINA 230V | CONTRACTOR 45 A CE/UL 230 V | |
| 04200095 | RELE' STATICO 25A -250V 3 pz. ASSEMBLATI + CAVO COLL. | STATIC CONTACTORS ASSEMBLY 25A - 250V | |
| 04200098 | RELE' STATICO 25A 280V 1relè ASSEMBLATI AURELIA II T3 2GR | STATIC RELAY 25 A 280 V 1 RELAY COMBINED AURELIA II T3 2GR | |
| 04200099 | RELE' STATICO 25A 280V 2rel ASSEMBLATI AURELIA II T3 3GR N | STATIC CONTACTORS ASSEMBLY 25A-280V | |
| 04500034 | MOTORE ELETTRICO 230V 50/60Hz165W | ELECTR. MOTOR 230 V 50/60 HZ | |
| 04900027 | DOSATORE VOLUMETRICO OTT. 1/4-1/4GAS -ATT. TEST. 2,8x0,5FO | FLOWMETER | |
| 04900702 | PULSANTIERA G/S 4TASTI PROGRAMMAZIONE COLORE 432c | TOUCHPAD G/S 4 BUTTONS PROGRAMM. COLOR 432c | |
| 04900775.1 | SONDA TEMPERATURA 150 NTC ATT.1/8 INOX 4x20 IP65 | TEMPERATURE PROBE 150° IP65 | |
| 04900780 | SONDA PT1000 x LANCIA VAPORE "TURBO CREAM" D06 + SUPPORTO | PT1000 TEMPERATURE PROBE FOR STEAM WAND + SUPPORT | |
| 04900808 | SONDA TEMPERATURA SCALDATAZZE AURELIA | CUP WARMER TEMPERATURE SENSOR - AURELIA | |
| 04900950 | MODULO SCHEDA EROGAZ. 1 TASTO AURELIA II S | MODULE 1 BUTTON AURELIA II | |
| 04900952 | MODULO SCHEDA EROGAZ. 5 TASTI AURELIA II V | MODULE 5 BUTTONS AURELIA II | |
| 04900954 | MODULO SCHEDA SERVIZI SX CHIUSO-ACQUA CALDA AURELIA II | MODULE SERVICES CLOSED-HOT WATER AURELIA II | |
| 04900958 | MODULO SCHEDA SERVIZI DX CHIUSO-CHIUSO AURELIA II | MODULE SERVICES CLOSED-CLOSED AURELIA II | |
| 04900964 | MODULO SCHEDA SERVIZI DX CHIUSO-VAPORE AURELIA II | MODULE SERVICES CLOSED-STEAM AURELIA II | |
| 04900966 | MODULO SCHEDA SERVIZI DX VAPORE-VAPORE AURELIA II | MODULE SERVICES STEAM 1- STEAM 2 AURELIA II | |
| 04900972 | SCHEDA 3TASTI SERVIZI "DISPLAY COLORI" AURELIA II DGT/T3 | 3 KEYS GRAFIC DISPLAY TOUCHPAD AURELIA II TFT | |
| 04900986 | CENTR. AURELIA II T3 SEM 2-3-4 GR. "DISPLAY A COLORI" | CONTROL BOARD AURELIA II TFT T3 SEM 2-3-4 GR | |
| 04900987 | CENTR. AURELIA II DIGIT/T3 VOL 2-3-4 GR. "DISPLAY A COLORI" | CONTROL BOARD AURELIA II TFT DIGIT/ T3 2-3-4 GR | |

A
U
R
E
L
I
A
II
T3

| CODICE | DESCRIZIONE | DESCRIPTION | END VALIDITY |
|-------------|--|---|--------------|
| 04900990 | CENTR. GESTIONE SONDE AURELIA II T3 "DISPLAY A COLORI" | PROBES CONTROL BOARD AURELIA II T3 TFT | |
| 04900991 | SONDA TEMPERATURA PT1000 GR. AURELIA II "DISPLAY A COLORI" | GROUP TEMPERATURE PROBE PT1000 FOR AURELIAII TFT | |
| 04900992 | CENTR. AURELIA II T3 VOL 2-3-4 GR. "DISPLAY 2 RIGHE" | CONTROL BOARD AURELIA II T3 2-3-4GR. "DISPLAY 2 LINES" | |
| 04900993 | CENTR. AURELIA II T3 SEM 2-3-4 GR. "DISPLAY 2 RIGHE" | BOARD AURELIA II T3 SEM 2-3-4 GR "TWO ROWS DISPLAY" | |
| 04900994 | CENTR. GESTIONE SONDE AURELIA II/ADONIS T3 "DISPLAY 2 RIGHE" AVR | PROBE CENTRAL UNIT BOARD AURELIA II/ ADONIS T3 DISPLAY 2 ROWS | |
| 04900995 | SCHEDA DISPLAY BIANCO AURELIA II T3 "DISPLAY 2 RIGHE" | WHITE CARD DISPLAY AURELIA II | |
| 04900996 | SCHEDA SERVIZI 2 TASTI+LED G/S AURELIA II T3 DISPLAY 2 RIGHE | SERVICE CIRCUIT 2 BUTTONS AURELIA II "DISPLAY 2 LINES" | |
| 05000001 | GOMMINO PROTEZIONE LANCIA D.10 | STEAM ARM RUBBER GRIP | |
| 05000015 | RACCORDO PORTATUBO WES 6R 1/8 | ELBOW HOSE MALE ADAPTER WES TYPE 6R 1/8" | |
| 05000018 | VASCETTA SCARICO AURELIA | DRAIN BOX | |
| 05000047 | COPRI RESISTENZA PROGRAM/ISX | HEATING ELEMENT COVER | |
| 05000063 | COPRI VALVOLA SICUREZZA PA6 | SAFETY VALVE COVER | |
| 05000089 | PRESSACAVO TEC-S M25 CON DADO | STRAIN BELIEF TEC-S M25 | |
| 05000230 | COPRI TELERUTTORE | ELECTRONIC RELAY COVER | |
| 05000232 | COPRI INTERRUTTORE QUADRATO | SWITCH COVER | |
| 05000762 | RACCORDO PORTATUBO GES 6 1/8 MASCHIO DIRITTO | STRAIGHT HOSE MALE ADAPTER TAPERED GES 6-1/8" | |
| 05000815 | MANOPOLA VAPORE ABS "AURELIA" 2011 | STEAM LEVER HANDLE | |
| 05000840 | MANOPOLA PORTAFILTRO 2003 NERO | FILTER HOLDER KNOB 2003 BLACK | |
| 05000842 | CHIUSURA MANOPOLA PORTAFILTRO 2003 | FILTER HOLDER KNOB LOCK 2003 | |
| 05000844 | RIVESTIMENTO GOMMA NERA MANOPOLA PORTAFILTRO | BLACK RUBBER COVER FILTER HOLDER KNOB | |
| 05000878 | CHIUSURA PROLUNGA PIEDE 2005 D.66 h=12 | FOOT EXTENSION LOCK D.66 H=12 | |
| 05000880 | PROLUNGA PIEDE ALTO 2005 D.66 H=80 mm. | TALL FOOT EXTENSION D.66 H=80 MM. | |
| 05000892 | CHIUSURA SICUR. PIANO LAVORO 2 ABS | SAFETY COVER 2 GR ABS - STAINLESS STEEL | |
| 05000893 | CHIUSURA SICUR. PIANO LAVORO 3 ABS | SAFETY COVER 3 GR ABS - STAINLESS STEEL | |
| 05001202.BP | FIANCO INF. DX AURELIA II BIANCO PERLA | RIGHT LOWER PANEL AURELIA II - WHITE | |
| 05001202.NO | FIANCO INF. DX AURELIA II NERO OPACO | RIGHT LOWER PANEL AURELIA II - BLACK | |
| 05001202.R | FIANCO INF. DX AURELIA II ROSSO CUORE | RIGHT LOWER PANEL AURELIA II - RED | |
| 05001204.BP | FIANCO INF. SX AURELIA II BIANCO PERLA | LEFT LOWER PANEL AURELIA II - WHITE | |
| 05001204.NO | FIANCO INF. SX AURELIA II NERO OPACO | LEFT LOWER PANEL AURELIA II - BLACK | |
| 05001204.R | FIANCO INF. SX AURELIA II ROSSO CUORE | LEFT LOWER PANEL AURELIA II - RED | |
| 05001206.BP | FIANCO LAT. DX AURELIA II BIANCO PERLA | RIGHT SIDE PANEL AURELIA II - WHITE | |
| 05001206.NO | FIANCO LAT. DX AURELIA II NERO OPACO | RIGHT SIDE PANEL AURELIA II - BLACK | |
| 05001206.R | FIANCO LAT. DX AURELIA II ROSSO CUORE | RIGHT SIDE PANEL AURELIA II - RED | |
| 05001208.BP | FIANCO LAT. SX AURELIA II BIANCO PERLA | LEFT SIDE PANEL AURELIA II - WHITE | |
| 05001208.NO | FIANCO LAT. SX AURELIA II NERO OPACO | LEFT SIDE PANEL AURELIA II - BLACK | |
| 05001208.R | FIANCO LAT. SX AURELIA II ROSSO CUORE | LEFT SIDE PANEL AURELIA II - RED | |
| 05001210.C | MOSTRINA SUP. DX AURELIA II CROMATA | RIGHT UPPER SIDE COVER CHROME | |
| 05001212.C | MOSTRINA SUP. SX AURELIA II CROMATA | LEFT UPPER SIDE COVER CHROME | |
| 05001218.BP | SUPP. LED VAPORE DX AURELIA II BIANCO PERLA | RIGHT LED STEAM SUPPORT AURELIA II - WHITE | |
| 05001218.NO | SUPP. LED VAPORE DX AURELIA II NERO OPACO | RIGHT LED STEAM SUPPORT AURELIA II - BLACK | |
| 05001218.R | SUPP. LED VAPORE DX AURELIA II ROSSO CUORE | RIGHT LED STEAM SUPPORT AURELIA II - RED | |
| 05001219.BP | SUPP. LED VAPORE SX AURELIA II BIANCO PERLA | LEFT LED STEAM SUPPORT AURELIA II - WHITE | |
| 05001219.NO | SUPP. LED VAPORE SX AURELIA II NERO OPACO | LEFT LED STEAM SUPPORT AURELIA II - BLACK | |
| 05001219.R | SUPP. LED VAPORE SX AURELIA II ROSSO CUORE | LEFT LED STEAM SUPPORT AURELIA II - RED | |
| 05001220.C | MOSTRINA LIVELLO AURELIA II CROMATA | FRONT WATER LEVEL COVER AURELIA II | |
| 05001224.C | MOSTRINA MANOMETRO AURELIA II CROMATA | FRONT GAUGE COVER AURELIA II | |
| 05001236.C | COPRIGRUPPO GR. BASSO AURELIA II CROMATO | COVER GROUP LOW AURELIA II | |
| 05001238.C | COPRIGRUPPO GIUNZIONE CENTR. GR. BASSI AURELIA II CROMATO | COVER CENTRAL GROUP AURELIA II | |
| 05001240.C | COPRIGRUPPO GR. ALTO AURELIA II CROMATO | COVER GROUP HIGH AURELIA II | |
| 05001242.C | COPRIGRUPPO SERVIZI AURELIA II CROMATO | COVER SERVICE AURELIA II | |
| 05001246.NO | FRONTALE MASCHERINA DISPLAY TFT NERO OPACO | FRONT PANEL FOR DISPLAY TFT AURELIA II TFT | |
| 05001248.NO | RETRO MASCHERINA DISPLAY TFT NERO OPACO | BACK PANEL FOR DISPLAY AURELIA II TFT | |
| 05001255 | VETRINO SIMBOLO "ON/OFF" MASCHERINA FRONTALE DISPLAY TFT | "ON/OFF" KEY PLASTIC COVER AURELIA II TFT | |
| 05001256 | VETRINO SIMBOLO "SCALDATAZZE" MASCHERINA FRONTALE DISPLAY T | "TOUCHPAD" KEY PLASTIC COVER AURELIA II TFT | |
| 05001257 | VETRINO SIMBOLO "LAVAGGIO" MASCHERINA FRONTALE DISPLAY TFT | "CLEANING" KEY PLASTIC COVER AURELIA II TFT | |
| 05001260 | ETICHETTA AD UNITA AURELIA II 64,5x7,7 TECHNOFLEX CROMO | ADESIVE LABEL "AURELIA II" | |
| 05001261 | ETICHETTA AD "AURELIA II" 6,6x62,9 METALFLEX CROMO | STICKER "AURELIA II" 6,6x62,9 CHROME | |
| 05001263 | ETICHETTA AD "T3" 12x9,6 METALFLEX CROMO | STICKER "T3" 12x9,6 CHROME | |
| 05001270 | VETRINO SCHEDA EROG. 1 TASTO AURELIA II - CAFFE' | GLASS FOR 1 BOTTON TOUCHPAD AURELIA II | |
| 05001271 | VETRINO SCHEDA EROG. 5 TASTI AURELIA II - UN CAFFE' | GLASS FOR 5 BOTTON TOUCHPAD AURELIA II 1 COFFEE | |
| 05001272 | VETRINO SCHEDA EROG. 5 TASTI AURELIA II - DUE CAFFE' | GLASS FOR 5 BOTTON TOUCHPAD AURELIA II 2 COFFEE | |
| 05001273 | VETRINO SCHEDA EROG. 5 TASTI AURELIA II - UN CAFFE' LUNGO | GLASS FOR 5 BOTTON TOUCHPAD AURELIA II 1 LONG COFFEE | |
| 05001274 | VETRINO SCHEDA EROG. 5 TASTI AURELIA II - DUE CAFFE' LUNGI | GLASS FOR 5 BOTTON TOUCHPAD AURELIA II TWO LONG COFFEES | |
| 05001275 | VETRINO SCHEDA EROG. 5 TASTI AURELIA II - CAFFE' CONTINUO | GLASS FOR 5 BOTTON TOUCHPAD AURELIA II CONTINUOUS COFFEE | |
| 05001276 | VETRINO SCHEDA SERVIZI AURELIA II - ACQUA CALDA | GLASS FOR SERVICES TOUCHPAD AURELIA II HOT WATER | |
| 05001278 | VETRINO SCHEDA SERVIZI AURELIA II - VAPORE | GLASS FOR SERVICES TOUCHPAD AURELIA II STEAM | |
| 05001279 | CHIUSURA POST. SCHEDA EROGAZ. AURELIA II | BACK CLOSING DISPENSING TOUCHPAD AURELIA II | |
| 05001280 | VETRINO SCHEDA SERVIZI AURELIA II - VAPORE 1 | GLASS FOR SERVICES TOUCHPAD AURELIA II STEAM 1 | |
| 05001281 | VETRINO SCHEDA SERVIZI AURELIA II - VAPORE 2 | GLASS FOR SERVICES TOUCHPAD AURELIA II STEAM 2 | |
| 05002210 | SUPPORTO ANGOLARE PIATTO RACCOGLIACQUA | FLAT ANGULAR WATER TRAY SUPPORT ADONIS | |
| 05002212 | PROTEZIONE DISPLAY ADONIS | DISPLAY PROTECTION ADONIS | |
| 05002228 | COLLETTORE SCARICO GRUPPI EROG | POURING UNIT DRAIN MANIFOLD | |
| 05002230 | TAPPO GOMMA SCARICO x 05002228 | DRAIN RUBBER PLUG | |
| 05340023 | GRIGLIA NYLON 178x210 | NYLON GRILL 178x210 | |
| 06200008 | BECCO DUE VIE OPEN | TWO WAYS SPOUT | |
| 06200070 | CORPO GR. EROGAZ. AURELIAII T3 OT-57 USA | DELIVERY GROUP OT-57 USA AURELIAII T3 | |
| 06200081 | ANELLO GRUPPO +SEDE OR CROMATOOT-58 | CHROME GROUP RING AURELIA | |
| 06200084 | CROCIERA 5 VIE "AURELIA" OT-57 USA | CROSSPIECE 5 WAYS BRASS "AURELIA" | |
| 07300009 | DADO RACCORDO 1/4 GAS | NUT CONNECTION 1/4 GAS | |
| 07300012.M8 | RACC. 1/4 1/4 GAS CON OR F.M8 OT-57 USA | CONNECTION 1/4 1/4 W/OR HOLE M8 | |
| 07300017 | RACCORDO 1/4 3/8 GAS OT-57 USA | FITTING 1/4 3/8 GAS OT. | |
| 07300054 | PISTONCINO 012X4 NEPLAX/RIT *AGG. 24.11.93 | SMALL PISTON 012X4 NEPLAX/RIT | |
| 07300055 | TAPPO PORTAMOLLA 3/8"-1/4" *AGG. 14.06.99 | SPRING HOLDER PLUG 3/8"-1/4" | |
| 07300062 | CORPO VALVOLA NEPLAX/RITEGNO AT. DA 1/4 GAS AGG.23.06.97 * | NEPLAX VALVE BODY | |
| 07300063 | TERMINALE CHIUSO D.11 | TERMINAL D 11 CLOSED | |
| 07300068 | RACCORDO L 3/8 M-M CILIN. OT-58 NICHELATO | CONNECTION L 3/8 M-M CYLIN 459 | |
| 07300069 | RACCORDO 1/8" M 1/4" F AGG. 02.03.88 | 1/8" M 1/4" F CONNEC | |
| 07300077 | PROLUNGA 1/4 F. 1/4 M. AGG. 07.03.85 | EXTENSION 1/4 F 1/4 M ADD. 07.03.85 | |
| 07300092 | BECCO UNA VIA CURVO OPEN | SINGLE SPOUT | |
| 07300099 | RIDUZIONE 3/8 1/4 ES. 20 AGG. 29.05.96 | VACUUM RELIEF VALVE ADAPTER | |
| 07300100.M8 | ATTACCO SCARICO 1/4 VAS. SCAR.CON OR + INT. M8 OT-57 USA | DOWNLOAD FASTENING 1/4 DOWNLOAD TRAY WITH OR | |
| 07300109 | PREMISTOPPA LIVELLO PROGRAM *AGG. 16.04.86 | GLAND LEVEL PROGRAM | |
| 07300110 | TAPPO PORTA MOLLA R.V. PR. | SPRING HOLDER TAP | |
| 07300116 | RACCORDO T 1/4 M-M-F OT-58 NICHELATO | JOINT T 1/4 M-M-F 465 | |
| 07300121 | RACCORDO L 1/4 M-M CILIN 459 AGG. 18.02.97 | CONNECTION L 1/4 M-M CYLIN. 459 | |

A
U
R
E
L
I
A
II

T3

| CODICE | DESCRIZIONE | DESCRIPTION | END VALIDITY |
|-------------|--|--|--------------|
| 07300125 | GIGLER M8x8 F.0,8 | GIGLEUR M8X8 F.0.8 | |
| 07300128 | TAPPO 1/4 GAS AGG.31.01.89 | CAP 1/4 GAS | |
| 07300129 | TAPPO 1/8 GAS | CAP 1/8 GAS | |
| 07300166 | FLANGIA CHIUSURA BLOCCHETTO PORTA ELETTR. AGG.07.07.03 | BLOCK LOCK FLANGE SOLENOID VALVE HOLDER | |
| 07300183.T | PADIGLIONE GRUPPO PREMIER2002 h=3 TEFLONATO | GROUP PAVILION PREMIER2002 h=3 TEFLONED | |
| 07300221 | ASTA INOX RUBINETTO VAPORE | STEAM VALVE INOX SCREW | |
| 07300229 | GIGLER M8x8 F.0,5 | GIGLEUR M8X8 F.0.5 | |
| 07300236 | RACCORDO A T 3/8 M-F-F | T CONNECTION 3/8 M-F-F 466 | |
| 07300249 | RACCORDO 1/8M L=12 3/8F | UNION 1/8M L = 12 3/8F | |
| 07300293 | BUSSOLA SNODO OTT. | BRASS BUSHING | |
| 07300355 | FORCELLA RUBINETTO '99 OTT. AGG. 07.04.98 | TAP FORK | |
| 07300362 | RACCORDO DIR. 1/4 M-CALZ.6 340 | STRAIGHT QUICK FITTING 1/4" - 6mm | |
| 07300364 | RACCORDO DIR. M. CON.6 1/8 CALZ. 340 | STRAIGHT FITTING 1/8 | |
| 07300365 | RACCORDO T 1/4 M-F-F | TEE FITTING 1/4" M-F-F | |
| 07300601 | INSERTO MANOPOLA PORTAFILTRO 2003 INOX | FILTER HOLDER KNOB INSERTION 2003 STAINLESS | |
| 07300603 | RACCORDO SUP. LIVELLO AURELIA | UPPER LEVEL CONNECTION AURELIA | |
| 07300612 | RACCORDO 1/4 1/4 GAS CON OR + BLOCCA VALVOLINA RITEGNO | CONNECT. 1/4 1/4 GAS WITH OR + VALVE LOCK | |
| 07300613 | INSERTO CAMERA PRE-INFUSIONE GR. AURELIA POM-C | PRE INFUSION CHAMBER CAP | |
| 07300619 | INSERTO PROLUNGA PIEDE ALTO ES 20 L=70 + M10 | INSERTION EXTENSION TALL FOOT ES 20 L=70 M10 | |
| 07300649 | ANELLO+GRANO PER PORTAFILTRO BECCO ORIENTABILE | RING + NUTORIENTABLE NOZZLE | |
| 07300671 | BECCO EASYCREAM 4 FORI AURELIA II | EASY CREAM NOZZLE 4 HOLES AURELIA II | |
| 07300714 | RACCORDO L 1/8 M - CALZAM.6 | L FITTING 1/8 SHEAT | |
| 07300798 | DADO RACC. 3/8 H=26 LANCIA SNODATA OTTONE NICHELATO | NUT 3/8 H=26 WAND | |
| 07300800 | CORPO RUB.VAPORE AURELIA II OT-57 USA | STEAM TAP | |
| 07300802 | ATTACCO RUB. ACQUA/AUTOSTEAM AURELIA II OT-57 USA | FASTENING WATER/AUTOSTEAM WAND | |
| 07300810 | SPINOTTO RUB.VAPORE AURELIA II | PIN STEAM TAP | |
| 07300812 | PROLUNGA FISSAGGIO SCALDATAZZE AURELIA II | EXTENSION FIXING CUPWARMER GRILL | |
| 07300814 | PROLUNGA FISSAGGIO L RETRO AURELIA II | EXTENSION FIXING BACK SUPPORT AURELIA II | |
| 07300816 | DISTANZIALE FISSAGGIO FRONTALE GRUPPO AURELIA II x GR.BASSI | SPACER FIXING GROUP LOW | |
| 07300817 | DISTANZIALE FISSAGGIO FRONTALE GRUPPO AURELIA II x GR.ALTI | SPACER FIXING GROUP HIGH | |
| 07300818 | POMELLO REGISTRO POMPANTE | REGISTER PUMP KNOB | |
| 08000005 | MOLLA 6 ST 11,5X8,5X25 RUB.VAPORE | STEAM VALVE SPRING | |
| 08000015 | ANELLO SEEGER TIPO RS 5 INOX UNI 7434 | SEEGER RING RS 5 STAINLESS STEEL | |
| 08000017 | MOLLA BLOCCA FILTRO ACC.INOX | FILTER HOLDER SPRING INOX | |
| 08000026 | MOLLA TARATA D 11.4 F1.5 5.25SVALVOLA NEPLAX 95 | CALIBRATED SPRING D 11.4 F1.5 NEPLAX VALVE | |
| 08000027 | MOLLA PER LANCIA SNODATA | WAND SPRING | |
| 08000093 | MOLLA FISSAGGIO ISOLANTE GR. EROGAZ. AURELIA II | ISOLATOR FIXING SPRING FOR GROUP AURELIAII | |
| 08000100 | MOLLA INTERNA PIEDE 2005 | FOOT INNER SPRING 2005 | |
| 09000005 | SONDA AUTOLIVELLO COMP. L.=130 | WATER LEVEL SENSOR | |
| 09000009 | VETRO LIVELLO 112x12x1,5 | SIGHT GLASS | |
| 09000016 | RUBINET. SFERA ALLACCIO RETE 3/8 M-F | TAP CONNECTION SUPPLY 3/8 M-F | |
| 09000018 | RUBINET. SFERA DISTRIBUTORE 1/4 M-F | DISPENSER TAP 1/4 M-F | |
| 09000022 | RUBINET. SFERA xVAPORE 3/8 F-FMINI CHIUSURA A CACCIAVITE | BALL TAP | |
| 09100009 | MANOMETRO D.63 0-16 BAR 1/8 WBC | PRESSURE GAUGE AURELIA WBC | |
| 09200006 | PRESSOSTATO MACCHINA CE/UL | PRESSOSTAT | |
| 09200018 | TRASDUTTORE DI PRESSIONE R1 (SENZA CAVETTO 04000244) | PRESSURE TRANSDUCER R1 WITHOUT LEAD | |
| 09500002 | TERMOSTATO RIARMO AUTO. 125°C | AUTOMATIC RESET THER | |
| 09500004 | TERMOSTATO R.MAN. 135°C | AUTOMATIC THERMOSTAT 135°C | |
| 09500014 | TERMOPROTETTORE RESISTENZA G5 167C 16A 250V UL N | THERMO PROTECTOR | |
| 11600001.W | TUBO SILICONE BIANCO4x7,5 60Sh (1mt=41gr) PLATINICO SEMITRASP | SILICONE WHITE PIPE 4x7,5mm 60Sh | |
| 11600004 | TUBO SILICONE 5x9 70Sh PEROX BIANCO SEMITRASPARENTE | SILICON PIPE WHITE 5x9 60Sh SEMI-TRANSPARENT | |
| 11740001 | TUBO TEFLON 6/4 | TEFLON PIPE 4X6 | |
| 14100012 | RESISTENZA 5000W PR/3-4 GR. | HEATING ELEM. 5000W | |
| 14100031 | RESISTENZA 4500W 220/380 L350 | HEATING ELEMENT 4500W | |
| 14100043 | RESISTENZA SCALDATAZZE L=303 150W 230V | CUPS WARMER RESISTOR L=303 150W 230V | |
| 14100044 | RESISTENZA SCALDATAZZE L=188 100W 230V | CUPS WARMER RESISTOR L=188 150W 230V | |
| 14100066 | RESISTENZA A CARTUCCIA D10x115 300W 230V | CARTRIDGE WARMER D10x115 | |
| 40000005 | RONDELLA OT 27x17x2 GREZZA | BRASS BUSHING | |
| 40200004 | GUARNIZ. SOTTOCOPPA CONICA 82/84 ShA | GROUP BAR GASKET | |
| 72012007 | VALVOLA NEPLAX COMPLETA 14,5BAR | EXPANSION VALVE | |
| 75010002 | CORPO LIVELLO PR./MAC/PREMIER LAVORATO E CROMATO | METAL CASING FOR SIGHT GLASS | |
| 75006038.1 | BECCO VAPORE M8,65x0,75 F. 1,2 ESAG.12 | STEAM TIP 1.2 | |
| 75006038.2 | BECCO VAPORE M8,65x0,75 F. 1,5 ESAG.12 | STEAM NOOZLE M8,65x0,75 F. 1,5 ESAG.12 | |
| 98001006 | PIEDE MACCHINA 06 BICOMPONENTE D.48 H=40 INSERTO M10 MASCHIO | MACHINE FEET replace 98001001 | |
| 98001007 | KIT PIEDI ALTI AURELIA (4 PZ) | KIT TALL FEET AURELIA (4 PCS.) | |
| 98004001 | FILTRO INOX DIAM. 8 | FILTER INOX DIAM. 8 | |
| 98004016 | FILTRO INOX DIAM. 12 | STAINLESS FILTER DIAM. 12 | |
| 98005021.TF | PORTAFILTRO TEFLONATO COMP. 1 VIA N.S. MANOPOLA STANDARD | COMPLETE TEFLON FILT | |
| 98005022 | PORTAFILTRO INCLINATO COMP. 2 VIE N.S. | COMPLETE TEFLON FILT | |
| 98005029.TF | PORTAFILTRO TEFLONATO BECCO 2 VIE ORIENTABILE N.S. | TEFLONED FILTER HOLDER WITH 2 DELIVERY SPOUT | |
| 98006021 | ASSIEME MANOPOLA VAPORE "2004" DX | COMBINED STEAM KNOB "2004" RIGHT | |
| 98006022 | ASSIEME MANOPOLA VAPORE "2004" SX | COMBINED STEAM KNOB "2004" LEFT | |
| 98006080 | LANCIA VAP. SNOD. INOX FREDDA DADO ALTO COMPLETA TUBO TEFL. | SNEAVEL STEAM WAND ST.ST HIGH NUT COMPLETE TEFL.PIPE | |
| 98007020 | KIT LANCIA ACQUA C. INOX L=100 DADO ALTO COMPLETO DI ROMPIGETT | HOT WATER WAND L=100 NUT H=26 | |
| 98007022 | KIT LANCIA ACQUA C. INOX L=70 DADO ALTO COMPLETO DI ROMPIGETT | HOT WATER WAND L=70 NUT H=26 | |
| 98008004 | PISTONCINO CHIUSURA COMPLETO | COMPLETE STEAM VALVE PISTON | |
| 98010030 | ASSIEME LIVELLO AURELIA-APPIA | COMBINED LEVEL AURELIA-APPIA | |
| 98011003 | PRESSA CAFFE' ANOD.ROSSO N.S. '09 - CONFEZIONATO | RED ANODISED COFFEE TAMPER | |
| 98013022 | VALVOLA SICUREZZA C10 1,8 BAR 3/8" VITON 97/23/CE CAT.IV H1 | C10 3/8 SAFETY VALVE SET TO 1.8 BAR 97/23/EC | |
| 98030061 | CROCIERA RUBIN. + EV. LIVELLO AURELIA | CROSSPIECE TAP + EV. LEVEL AURELIA | |
| 98030062 | CROCIERA 2 GR. DOSATORI VOL. | CROSSPIECE 2 GR. VOL DOSERS | |
| 98030063 | CROCIERA 3 GR. DOSATORI VOL. | CROSSPIECE 3 GR. VOL DOSERS | |
| 98030065 | TUBO D.8 1/4 1/4 L=59.5 | TUBE D.8 1/4 1/4 L=50 | |
| 98030069 | TUBO D.8 1/4 SCARICO VALVOLA NEPLAX | TUBE D.8 1/4 DOWNLOAD VALVE NEPLAX | |
| 98030075 | TUBO CAPILLARE 1/8-1/4 0,9x2x400 MANOMETRO- POMPA | CAPILLARY TUBE 1/8-1/4 0,9X2X400 MANOM.-PUMP | |
| 98030165 | TUBO 1/4 1/4 MODIFICA SEMIAUT APPIA 1-2-3 GR. | TUBE 1/4 1/4 SEM CHANGE APPIA | |
| 98030308 | CALDAIA SALD. ACCIAIO Aisi316 MICROBAR 08 230V 1000W | BOILER MICROBAR 08 230V 1000W | |
| 98030501 | TUBO TEFLON INTERNO CALDAIA CAFFE' AURELIA II T3 | INNER COFFEE TANK TEFLON PIPE AURELIA II T3 | |
| 98030502 | CALDAIA SALDATA 2GR D.180 Lt11 AURELIA II T3 COLLAUDATA | WELDED TANK 2 GR D.180 Lt11 AURELIA II T3 TESTED | |
| 98030503 | CALDAIA SALDATA 3GR D.180 Lt17 AURELIA II T3 COLLAUDATA | WELDED TANK 3 GR D.180 Lt17 AURELIA II T3 TESTED | |
| 98030510 | TUBO LANCIA VAPORE DX CALDAIA-RUBINETTO A SFERA AURELIA II | TUBE RIGHT STEAM: BOILER-BALL TAP | |
| 98030512 | TUBO LANCIA VAPORE SX CALDAIA-RUBINETTO A SFERA AURELIA II | TUBE LEFT STEAM: BOILER-BALL TAP | |
| 98030514 | TUBO LANCIA VAPORE DX RUB. A SFERA-LANCIA AURELIA II | TUBE RIGHT STEAM: BALL TAP-STEAM WAND | |
| 98030516 | TUBO LANCIA VAPORE SX RUB. A SFERA-LANCIA AURELIA II | TUBE LEFT STEAM: BALL TAP-STEAM WAND | |
| 98030518 | TUBO LANCIA VAP DX AURELIA II | STEAM TUBE DX SIDE AURELIA II | |

A U R E L I A II T3

| CODICE | DESCRIZIONE | DESCRIPTION | END VALIDITY |
|--------------------|--|--|---|
| 98030520 | TUBO LANCIA VAP SX AURELIA II | STEAM TUBE SX SIDE AURELIA II | A U R E L I A II T3 |
| 98030526 | TUBO CALDAIA-MISCELATORE ACQUA AURELIA II | TUBE BOILER-HOT WATER ECONOMIZER | |
| 98030528 | TUBO MISCELATORE ACQUA-LANCIA ACQUA CALDA AURELIA II | TUBE HOT WATER ECONOMIZER-HOT WATER WAND | |
| 98030538 | TUBO LIVELLO SUP. AURELIA II | TUBE SUPERIOR LEVEL AURELIA II | |
| 98030540 | TUBO LIVELLO INF. AURELIA II | TUBE LOWER LEVEL AURELIA II | |
| 98030542 | TUBO COLL. VALVOLA SICUREZZA AURELIA II | TUBE SAFETY VALVE | |
| 98030546 | TUBO CALDAIA-PRESSOSTATO DIGIT AURELIA II | TUBE BOILER-PRESSOSTAT | |
| 98030548 | TUBO CARICO CALDAIA AURELIA II | TUBE WATER BOILER | |
| 98030582 | TUBO E.V. - LANCIA VAPORE DX EASY CREAM AURELIA II | TUBE EASY CREAM WAND DX AURELIA II | |
| 98030583 | TUBO E.V. - LANCIA VAPORE SX EASY CREAM AURELIA II | TUBE EASY CREAM WAND SX AURELIA II | |
| 98110001 | VALVOLA RITEGNO COMPL. 1/8 F-F | RETAIN VALVE 1/8 F-F | |
| 98120005 | VALVOLA NEPLAX VITON 12BAR 1/8 - PORTAGOMMA | NEPLAX VITON 12 BAR | |
| 98010000000308 | ASSIEME INVOLUCRO LUCI FRONT. AURELIA II 2GR. | COMBINED CABINET LIGHT AURELIA II 2GR. | |
| 98010000000309 | ASSIEME INVOLUCRO LUCI FRONT. AURELIA II 3GR. | COMBINED CABINET LIGHT AURELIA II 3GR. | |
| 9801000000030004 | ASSIEME FIANCO DX COMPLETO AURELIA II NERO OPACO LUCI | COMBINED RIGHT SIDE LIGTH AURELIA II - BLACK | |
| 9801000000030005 | ASSIEME FIANCO DX COMPLETO AURELIA II BIANCO PERLA LUCI | COMBINED RIGHT SIDE LIGTH AURELIA II - WHITE | |
| 9801000000030006 | ASSIEME FIANCO DX COMPLETO AURELIA II ROSSO CUORE LUCI | COMBINED RIGHT SIDE LIGTH AURELIA II - RED | |
| 9801000000030104 | ASSIEME FIANCO SX COMPLETO AURELIA II NERO OPACO LUCI | COMBINED LEFT SIDE LIGTH AURELIA II - BLACK | |
| 9801000000030105 | ASSIEME FIANCO SX COMPLETO AURELIA II BIANCO PERLA LUCI | COMBINED LEFT SIDE LIGTH AURELIA II - WHITE | |
| 9801000000030106 | ASSIEME FIANCO SX COMPLETO AURELIA II ROSSO CUORE LUCI | COMBINED LEFT SIDE LIGTH AURELIA II - RED | |
| 98030000000132 | ASSIEME CALDAIA 2GR. AURELIA II T3 | BOILER ASSEMBLY 2 GR AURELIA II T3 | |
| 98030000000133 | ASSIEME CALDAIA 3GR. AURELIA II T3 | BOILER ASSEMBLY 3 GR AURELIA II T3 | |
| 98030000000137 | ASSIEME DOSATORE AURELIA II T3 GIGLER F.0,5 | COMBINED DOSER AURELIA II T3 GIGLER F 0.5 | |
| 98030000000140 | ASS. TUBO COLL. GR.IDRAULICO -CALDAIA AURELIA II T3 GIGLER F.0,5 | ASS.TUBE COLLECTOR BOILER AURELIA II T3 GIGLER F.0.5 | |
| 98060000000111 | ASS. RUBINETTO VAPORE SENZA LANCIA AURELIA II | ASS. AURELIA II STEAM VALVE (STEAM WAND NOT INCLUDED) | |
| 98060000000136 | ASS. RUBINETTO VAPORE + LANCIA VAPORE FREDDA CON DADO ALTO | COMBINED STEAM TAP + STEAM WAND COLD HIGH NUT | |
| 98060000000148 | ASS. RUBINETTO + TUBI CHIUSURA VAPORE DX AURELIA II DIGIT-T3 | COMBINED TAP + RIGHT TUBE STEAM | |
| 98060000000149 | ASS. RUBINETTO + TUBI CHIUSURA VAPORE SX AURELIA II DIGIT-T3 | COMBINED TAP + LEFT TUBE STEAM | |
| 98060000000158 | ASS. RUBINETTO + TUBI EASY CREAM DX AURELIA II | ASS. VALVE AND TUBES EASY CREAM DX AURELIA II | |
| 98060000000159 | ASS. RUBINETTO + TUBI EASY CREAM SX AURELIA II | ASS. VALVE AND TUBES EASY CREAM SX AURELIA II | |
| 980700000000050 | ASSIEME ATTACCO + LANCIA ACQUA CALDA L=100 CON DADO ALTO | FASTENING + HOT WATER WAND L=100 | |
| 980700000000052 | ASSIEME ATTACCO + LANCIA ACQUA CALDA L=70 CON DADO ALTO | FASTENING + HOT WATER WAND L=70 | |
| 98160000000388 | SONDA TEMPERATURA GR. EROGAZ. MACCHINE T3 "DISPLAY 2 RIGHE" | POURING GROUP TEMPERATURE PROBE T3 2 ROWS DISPLAY | |
| 98160000000400 | ASS. TRASFORMATORI+CABLAGGIO LUCI AURELIA II | LIGH TRASFORMER + WIRING | |
| 98160000000440 | ASS.DISPLAY TFT AURELIA II CON SCHEDA + TASTI + CAVI | ASS. TFT DISPLAY AURELIAII WITH BOARD + BOTTONS+CABLES | |
| 98160000000520 | ASS. TRAF+CABLAGGIO AURELIA II - ADONIS CON EASY CREAM | ASS. TRANSFORMER+CABLING EASYCREAM AURELIA II - ADONIS | |
| 98170000000033 | ASSIEME SUPPORTO + MICROCOMPRESORE TALENTO | ASS. COMPRESSOR AND SUPPORT FOR EASYCREAM | |
| 980100000003000000 | ASSIEME FIANCO DX COMPLETO AURELIA II BIANCO PERLA LUCI | ASS. COMPLETE RIGHT SIDE PANEL AURELIA II PEARL WHITE LIGHTS | |
| 980100000003010000 | ASSIEME FIANCO SX COMPLETO AURELIA II BIANCO PERLA LUCI | ASS. COMPLETE LEFT SIDE PANEL AURELIA II PEARL WHITE LIGHTS | |
| 980100000003620002 | ASSIEME PARETE FRONTALE AURELIA II 2GR CON LUCI | ASS.FRONT PANEL WITH LIGHTS AURELIA II 2GR | |
| 980100000003630003 | ASSIEME PARETE FRONTALE AURELIA II 3GR CON LUCI | ASS.FRONT PANEL WITH LIGHTS AURELIA II 3GR | |
| 980300000001300000 | ASSIEME CALDAIA CAFFE' AURELIAII T3 - ADONIS T3 CE | COMBINED HYDRAULIC G AURELIA II T3-ADONIS T3 CE | |
| 980400000001810000 | ASS. GRUPPO EROGAZ. AURELIA II T3 "WBC" DISPLAY 2 RIGHE | POURING GROUP ASSEMBLY AURELIA II T3 'WBC' DISPLAY 2 ROWS | |
| 980400000001820000 | ASS. GRUPPO EROGAZ. AURELIA II TFT T3 "WBC" CE | COMBINED POURING GROUP AURELIA II TFT T3 'WBC' CE | |
| 980700000000560000 | ASSIEME E.V. ACQUA CALDA+E.V. MISCELATORE AURELIA II | COMBINED HOT WATER ECONOMIZER | |
| 980700000000560000 | ASSIEME E.V. ACQUA CALDA+E.V. MISCELATORE AURELIA II CE | HOT WATER VALVE + MIXER ASSEMBLY AURELIA II CE | |