



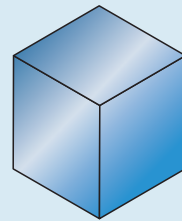
Ice Maker: IM-240ANE (23) / IM-240AWNE



Product Description

The IM-240ANE (-23) (air cooled) and the IM-240AWNE (water cooled) are modular cube ice maker. These products produce up to 240kg per 24 hours and can be used in combination with all available bins.

- A closed water circuit offers the ultimate contamination protection, by reducing the number of points at which impurities can enter the ice making process.
- Hoshizaki ice makers are micro computer controlled, controlling the ice making process to perform at its best under varying circumstances, without having to make physical adjustments.
- A stainless steel exterior provides a hygienic and high quality finish.
- Foam injected polyurethane for insulation (HFC free), helps preserve the quality and consistency of the ice produced, reducing the number of production cycles.
- An easily cleanable air filter allows end users to carry out a routine cleaning schedule, extending product life expectancy and reducing the frequency and costs of maintenance call-outs.



Ice Type: Cube

IM-240ANE / IM-240AWNE
Ice Size: Standard (L) 28 x 28 x 32mm

IM-240ANE-23
Ice Size: Medium 28 x 28 x 23mm



Available Models

Ice Production

Model	Air Cooled	Water Cooled	Ice Production per 24h (Approx.)		Temperature	Ice Production per Cycle (Approx.)	Water Consumption per 24h (Approx.)
			Dimple 5mm	Dimple 15mm			
IM-240ANE	✓		220kg 205kg 160kg	240kg 230kg 190kg	AT.10°C, WT.10°C AT.21°C, WT.15°C AT.32°C, WT.21°C	3.2kg / 140 pcs	0,76m ³ 0,36m ³ 0,34m ³
IM-240ANE-23	✓		180kg 175kg 165kg	225kg 215kg 195kg	AT.10°C, WT.10°C AT.21°C, WT.15°C AT.32°C, WT.21°C	2.38kg / 140 pcs	0,80m ³ 0,40m ³ 0,38m ³
IM-240AWNE		✓		240kg 205kg 200kg	AT.10°C, WT.10°C AT.21°C, WT.15°C AT.32°C, WT.21°C	3.2kg / 140 pcs	1,05 m ³ 0,75 m ³ 0,50 m ³

For more information visit our website
www.hoshizaki-europe.com

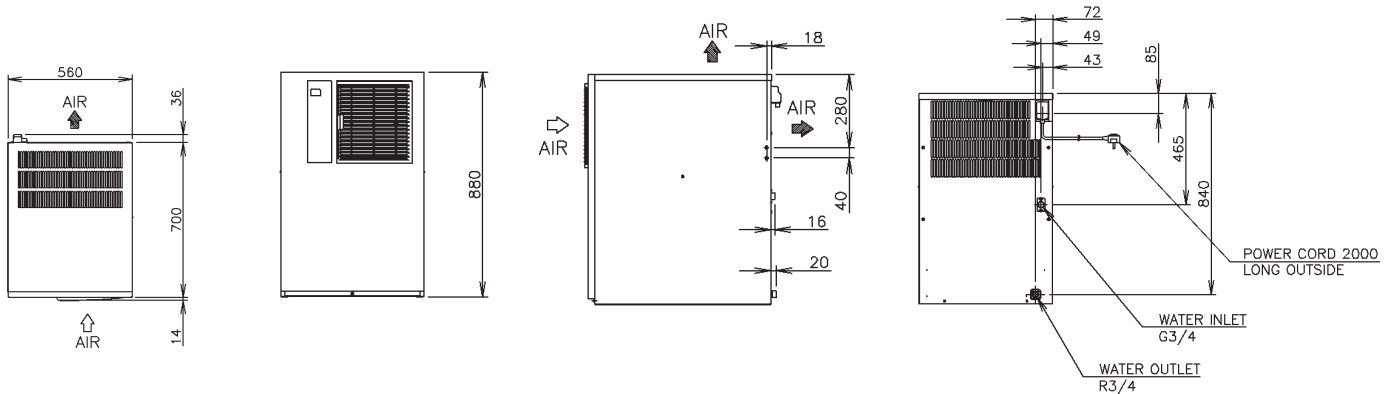
Hoshizaki Europe B.V. retains the right to change products and their specifications without prior notice.



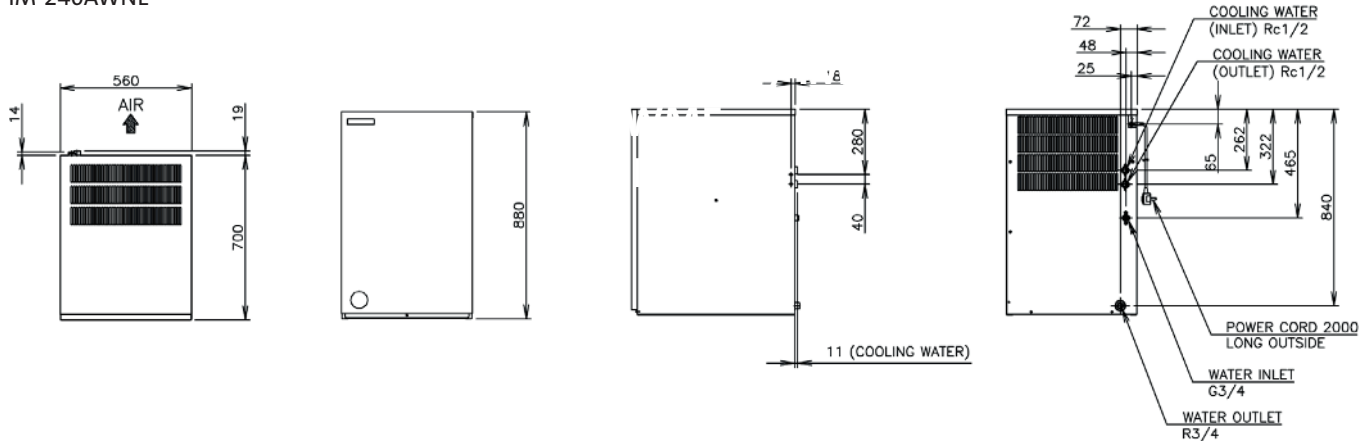


Ice Maker: IM-240ANE (23) / IM-240AWNE

IM-240ANE / IM-240ANE-23



IM-240AWNE



Full CAD specification drawings available on website

Specifications

Specification	IM-240ANE (23)	IM-240AWNE
Dimensions W x D x H (mm)	1084 x 700 x 500	1084 x 700 x 500
AC Supply Voltage	1 Phase 220 - 240V 50Hz	1 Phase 220 - 240V 50Hz
Electric Consumption (AT.32°C, WT.21°C)	1330W	1500W
Insulation	Polyurethane Foam	Polyurethane Foam
Heat Rejection	2870W	-
Refrigerant	R404A	R404A
Weight Gross / Net (kg)	91 / 80	110 / 90

Corresponding Bins

Models
B-301SA
B-501SA, Top Kit TK 8D
B-801SA, Top Kit TK 8D + TK 18D

Accessories

Mounting Bracket, Installation Kit



HOSHIZAKI

Export Office

Burgemeester Stramanweg 101,
1101 AA Amsterdam
The Netherlands

T: +31 (0)20 691 8499
F: +31 (0)20 691 8768
sales@hoshizaki.nl
www.hoshizaki-europe.com

T: +44 (0)132 261 6900
F: +44 (0)132 261 6901
info@gramuk.co.uk
www.gramuk.co.uk