



# HOSHIZAKI

## IM-45NE (-25) / IM-45WNE CUBE ICE MAKER

### Product Description

The IM-45NE (air cooled) and IM-45WNE (water cooled) are self contained ice machines. These models maintain low levels of water- and energy consumption.



- A closed water circuit offers the ultimate contamination protection, by reducing the number of points at which impurities can enter the ice making process.
- Hoshizaki ice makers are micro computer controlled, controlling the ice making process to perform at its best under varying circumstances, without having to make physical adjustments.
- A stainless steel exterior with integrated door handles provides a hygienic and high quality finish.
- Foam injected polyurethane for insulation (HFC free), helps preserve the quality and consistency of the ice produced, reducing the number of production cycles.
- An easily cleanable air filter allows end users to carry out a routine cleaning schedule, extending product life expectancy and reducing the frequency and costs of maintenance call-outs.
- Removable door gaskets help prevent any heat and contamination from entering the bin as well as making your Hoshizaki product easy to clean and maintain.

### Available Models

IM-45NE (Air Cooled)
IM-45NE-25 (Air Cooled)
IM-45WNE (Water Cooled)

### Ice Cubes

Model	Size	Shape
IM-45NE / WNE	Large (Standard) 28 x 28 x 32 mm	
IM-45NE-25	Medium (25) 25 x 25 x 23 mm	

### Bins

Model	Type of Bin	Max. Bin Capacity
IM-45NE (-25)	Self Contained	18kg
IM-45WNE	Self Contained	18kg

### Production

Model	Ice Production per 24h	Temperature	Ice Production per Cycle	Water Consumption per 24h *
IM-45NE	Approx. 44kg (15mm) / 36kg (5mm) Approx. 40kg (15mm) / 32kg (5mm) Approx. 32kg (15mm) / 29kg (5mm)	AT.10°C, WT.10°C AT.21°C, WT.15°C AT.32°C, WT.21°C	Approx. 0,67kg / 30 pcs	Approx. 0,17m <sup>3</sup> Approx. 0,10m <sup>3</sup> Approx. 0,09m <sup>3</sup>
IM-45NE-25	Approx. 39kg (15mm) / 35kg (5mm) Approx. 35kg (15mm) / 32kg (5mm) Approx. 28kg (15mm) / 27kg (5mm)	AT.10°C, WT.10°C AT.21°C, WT.15°C AT.32°C, WT.21°C	Approx. 0,55kg / 42 pcs	Approx. 0,20m <sup>3</sup> Approx. 0,12m <sup>3</sup> Approx. 0,10m <sup>3</sup>
IM-45WNE	Approx. 47kg (15mm) / 45kg (5mm) Approx. 40kg (15mm) / 38kg (5mm) Approx. 37kg (15mm) / 35kg (5mm)	AT.10°C, WT.10°C AT.21°C, WT.15°C AT.32°C, WT.21°C	Approx. 0,67kg / 30 pcs	Approx. 0,22m <sup>3</sup> Approx. 0,12m <sup>3</sup> Approx. 0,11m <sup>3</sup>

\*) for ice making purposes only

### Two year warranty

For more information visit our website at [www.hoshizaki-europe.com](http://www.hoshizaki-europe.com)  
Hoshizaki Europe B.V. retains the right to change products and their specifications without prior notice.

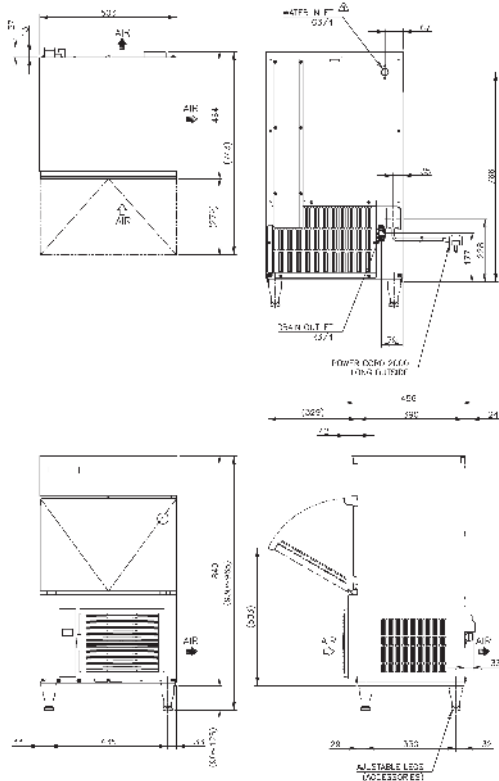




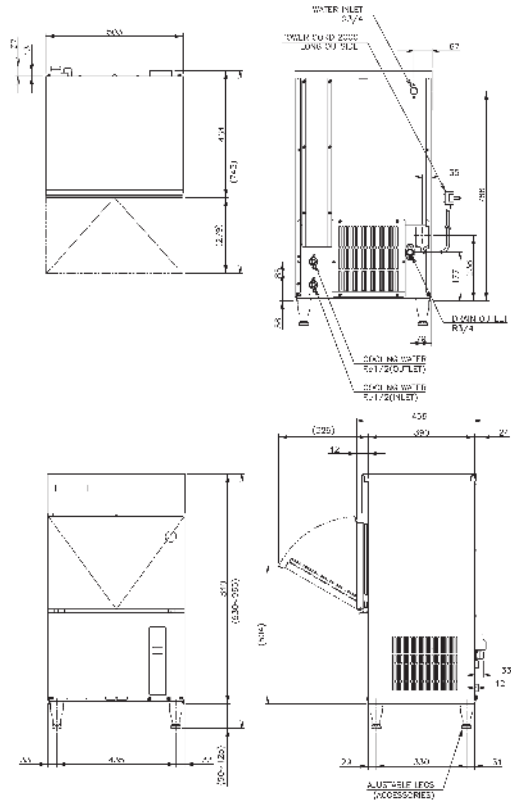
# HOSHIZAKI

## IM-45NE (-25) / IM-45WNE CUBE ICE MAKER

IM-45NE



IM-45WNE



Specification	IM-45NE (Air Cooled)	IM-45WNE (Water Cooled)
<b>AC Supply Voltage</b>	1 PHASE 220-240V 50Hz	1 PHASE 220-240V 50Hz
<b>Amperage (AT.32°C, WT.21°C)</b>	2.4A	2.1A
<b>Electric Consumption (AT.32°C, WT.21°C)</b>	330W	295W
<b>Exterior</b>	Stainless Steel, Galvanized Steel (Rear)	Stainless Steel, Galvanized Steel (Rear)
<b>Insulation</b>	Polyurethane Foam	Polyurethane Foam
<b>Insulation Foam Blowing Agent</b>	Water Blown	Water Blown
<b>Connections-Electric</b>	X-Type Con. (with CONT. Plug or UK Plug)	X-Type Con. (with CONT. Plug or UK Plug)
<b>Connections-Water Supply</b>	Inlet 3/4" (connected at rear side)	Inlet 3/4" (connected at rear side)
<b>Connections-Drain</b>	Outlet 3/4" (connected at rear side)	Outlet 3/4" (connected at rear side)
<b>Ice Making System</b>	Closed Cell Type	Closed Cell Type
<b>Condenser</b>	Air-cooled, Fin and Tube type	Water-cooled, Tube and Tube type
<b>Heat Rejection (AT.32°C, WT.21°C)</b>	640W	580W
<b>Refrigerant Control</b>	Capillary Tube	Thermostatic Expansion Valve
<b>Refrigerant Charge</b>	R134a	R134a
<b>Ice Making Control System</b>	Thermistor, Timer	Thermistor, Timer
<b>Bin Control System</b>	Microswitch with Time Delay Board	Microswitch with Time Delay Board
<b>Electrical Protection</b>	Class I Appliance, 5A Fuse	Class I Appliance, 5A Fuse
<b>Compressor Protection</b>	Auto- reset Overload Protector	Auto- reset Overload Protector
<b>Ice Maker Protection</b>	Interlock by Controller Board	Interlock by Controller Board
<b>Dimensions Product excl. Packaging</b>	503 x 456 x 840 (W x D x H, mm)	503 x 456 x 840 (W x D x H, mm)
<b>Dimensions Product incl. Packaging</b>	640 x 600 x 1021 (W x D x H, mm)	640 x 600 x 1025 (W x D x H, mm)
<b>Weight Gross / Net</b>	51 kg / 46 kg	52 kg / 47 kg

Operation Requirements	
<b>Ambient Temperature</b>	1 - 40°C
<b>Water Supply Temperature</b>	5 - 35°C
<b>Water Supply Pressure</b>	0,7-7,8 bar (0,07-0,78MPa)
<b>Voltage Range</b>	Rated Voltage ± 6%

Accessories
Scoop
Leg
Installation Kit

For more information please contact your local sales office:

Hoshizaki Belgium: info@hoshizaki.be  
 Hoshizaki Deutschland: info@hoshizaki.de  
 Hoshizaki France: info@hoshizaki.fr  
 Hoshizaki Iberia: info@hoshizaki.es  
 Hoshizaki Middle East: sales@hoshizaki.ae

Hoshizaki Nederland: sales@hoshizaki.nl  
 Hoshizaki United Kingdom: uksales@hoshizaki.co.uk  
 Other countries: sales@hoshizaki.nl

[www.hoshizaki-europe.com](http://www.hoshizaki-europe.com)