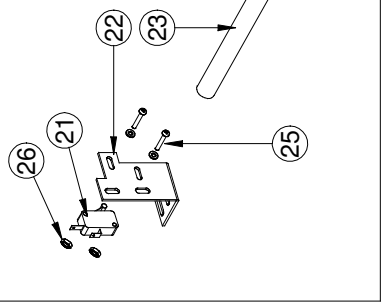
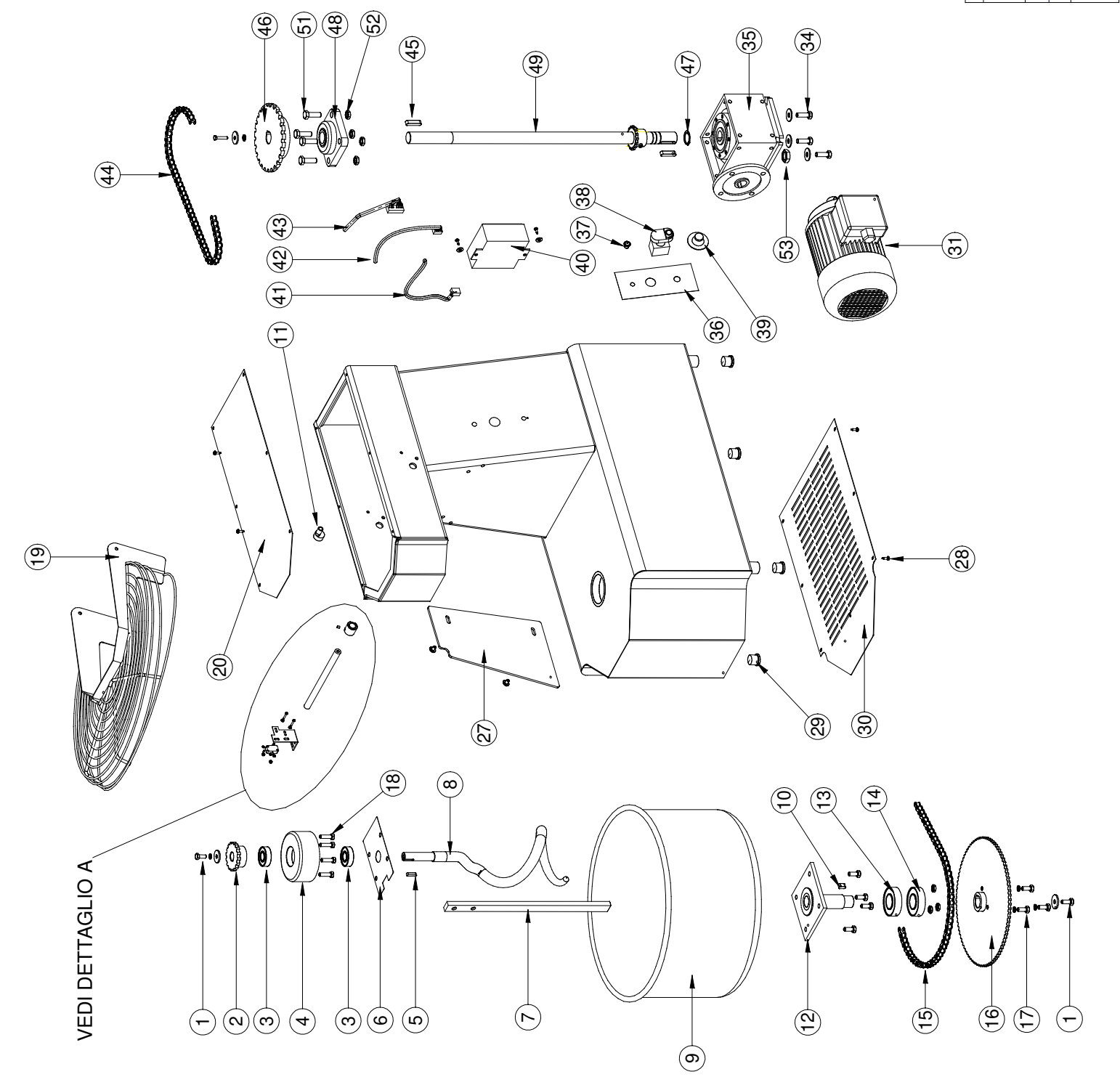


DETTAGLIO A



VEDI DETTAGLIO A



|                  |                 |                        |
|------------------|-----------------|------------------------|
| DATA: 01/11/2009 | Descrizione     |                        |
| MAT.             | Finitura        | SCALA: 1:50            |
| SP.              | GRUPPO:         | CLIENTE:               |
|                  | CODICE CLIENTE: |                        |
|                  | Cod.            | IMPASTATRICI "S 16/20" |



## IMPASTATRICE S16/20 / SPIRAL MIXER S16/20

| NR | CODICE/CODE | DESCRIZIONE / DESCRIPTION  | U.M. | Q.TA' |
|----|-------------|--|------|-------|
| 1  | RG100842    | VITE / SCREW TE M8X20 ZINC.                                      | PZ   | 2     |
| 2  | RG101015    | PIGNONE SPIRALE / SPIRAL PINION Z17x1/2 MOD. 16/20               | PZ   | 1     |
| 3  | RG101055    | CUSCINETTO / BEARING 6303 2RS MOD. 16/20                         | PZ   | 2     |
| 4  | RG102042    | SUPPORTO / HOLDER D120 MOD. 16/20                                | PZ   | 1     |
| 5  | RG101029    | CHIAVETTA / KEY 6X6X25   | PZ   | 1     |
| 6  | RG101995    | LAMIERA COPRIASOLE / SLOT COVER PLATE IMP MOD. 16/20             | PZ   | 1     |
| 7  | RG101054    | ASTA SPACCAPASTA / DOUGH BREAKER MIXER MOD. 16/20                | PZ   | 1     |
| 8  | RG101002    | SPIRALE IMPASTATRICE / SPIRAL FOR MIXER MOD. 16/20               | PZ   | 1     |
| 9  | RG101044    | VASCA IMPASTATRICE / BOWL FOR MIXER MOD. 16 320X210              | PZ   | 1     |
| 9  | RG101018    | VASCA IMPASTATRICE / BOWL FOR MIXER MOD. 20 360X210              | PZ   | 1     |
| 10 | RG101521    | CHIAVETTA / KEY 8x7x20   | PZ   | 1     |
| 11 | RG102452    | ECCENTRICO PER COPERCHIO / ECCENTRIC FOR COVER                   | PZ   | 2     |
| 12 | RG101000    | SUPPORTO VASCA / BOWL HOLDER MOD. 16/20                          | PZ   | 1     |
| 13 | RG100829    | CUSCINETTO / BEARING 6206 2RS                                    | PZ   | 1     |
| 14 | RG100823    | CUSCINETTO / BEARING 6206 ZZ                                     | PZ   | 1     |
| 15 | RG101026    | CATENA VASCA / BOWL CHAIN 3/8 119 P. + G                         | PZ   | 1     |
| 16 | RG101001    | CORONA VASCA / CROWN FOR BOWL Z75 x 3/8 S/L                      | PZ   | 1     |
| 17 | RG100841    | VITE / SCREW TE M8X18 ZINC.                                      | PZ   | 4     |
| 18 | RG100908    | VITE / SCREW TE M8X25 ZINC.                                      | PZ   | 4     |
| 19 | RG102719    | COPERCHIO / BOWL LID MIXER IMP MOD. S 16                         | PZ   | 1     |
| 19 | RG101736    | COPERCHIO / BOWL LID MIXER IMP MOD. S 20                         | PZ   | 1     |
| 20 | RG101068    | COPERCHIO SUPERIORE / LID MIXER MOD. S 16/20                     | PZ   | 1     |
| 21 | RG100198    | MICROINTERR. DI SICUREZZA / SECURITY MICROSWITCH 1NC+1NO F       | PZ   | 1     |
| 22 | RG100855    | SUPPORTO MICRO IMPASTATRICE / MICROSWITCH HOLDER                 | PZ   | 1     |
| 23 | RG101021    | ASTA COPERCHIO / LID SPINDLE S 16/20                             | PZ   | 1     |
| 24 | RG100796    | CAMME DI REGOLAZIONE COPERCHIO / LID ADJUSTEMENT CAMS            | PZ   | 1     |
| 25 | RG100856    | VITE / SCREW TC 3X20 ZINC.                                       | PZ   | 2     |
| 26 | RG100064    | DADO AUTOBLOCCANTE / SELF LOCKING NUT M3 ZINC                    | PZ   | 2     |
| 27 | RG101022    | PROTEZIONE LATERALE / SIDE SHIELD PLX S 16                       | PZ   | 1     |
| 27 | RG101041    | PROTEZIONE LATERALE / SIDE SHIELD PLX S 20                       | PZ   | 1     |
| 28 | RG100846    | VITE AUTOPERFORANTE / SELF PERFORATING SCREW 4,2X13              | PZ   | 20    |
| 29 | RG100828    | PIEDINO IN PLASTICA / PLASTIC FOOT                               | PZ   | 4     |
| 30 | RG101066    | FONDO / BASE S 16/20   | PZ   | 1     |
| 31 | RG101080    | MOTORE / MOTOR T71 TR 400V B14 kW 0,55 PER MOD. 16               | PZ   | 1     |
| 31 | RG101075    | MOTORE / MOTOR T71 TR 400V B14 kW 0,75 PER MOD. 20               | PZ   | 1     |
| 31 | RG101047    | MOTORE / MOTOR S 80 MN 230V B14 kW 0,55 PER MOD. 16              | PZ   | 1     |
| 31 | RG101084    | MOTORE / MOTOR S 80 MN 230V B14 kW 0,75 PER MOD. 20              | PZ   | 1     |
| 31 | RG101082    | MOTORE / MOTOR D80 2 VEL. B14 kW 0,75/1,1 PER MOD. 16/20         | PZ   | 1     |
| 32 | RG100038    | PRESSACAVO MAXIBLOCK / CABLE GLAND STUFFING BOX M20x1,5          | PZ   | 1     |
| 33 | RG100830    | GHIERA PER PRESSACAVO / FERRULE FOR CABLE GLAND M20X1,5          | PZ   | 1     |
| 34 | RG100848    | VITE / SCREW TE M10X30 ZINC.                                     | PZ   | 4     |
| 35 | RG101081    | RIDUTTORE / REDUCTION GEAR NMRV 040 (71B14) X MOD. 16 TR         | PZ   | 1     |
| 35 | RG101086    | RIDUTTORE / REDUCTION GEAR NMRV 040 (80B14) X MOD. 16 MN         | PZ   | 1     |
| 35 | RG101076    | RIDUTTORE / REDUCTION GEAR NMRV 050 (71B14) X MOD. 20 TR         | PZ   | 1     |
| 35 | RG101083    | RIDUTTORE / REDUCTION GEAR NMRV 050 (80B14) X MOD. 20 MN         | PZ   | 1     |
| 36 | RG100827    | MOSTRINA ADESIVA 2 FORI / STICKER 2 HOLES                        | PZ   | 1     |
| 36 | RG101097    | MOSTRINA ADESIVA 3 FORI / STICKER 3 HOLES                        | PZ   | 1     |
| 37 | RG100895    | SEGNALATORE LUMINOSO / LIGHT SIGNAL                              | PZ   | 1     |
| 38 | RG100894    | PULSANTE / PUSH BUTTON ON/OFF                                    | PZ   | 1     |
| 38 | RG102846    | PULSANTE 2 VELOCITA' / 2 SPEEDS PUSH BUTTON (I/OFF/II)           | PZ   | 1     |
| 39 | RGA00143    | TEMPORIZZATORE / TIMER   | PZ   | 1     |
| 40 | RG100890    | CENTRALINA TR / PCB BOARD THREEPHASE                             | PZ   | 1     |
| 40 | RG100897    | CENTRALINA MN / PCB BOARD SINGLEPHASE                            | PZ   | 1     |
| 40 | RG100896    | CENTRALINA TR 2 VEL. CON CAVI / PCB BOARD 2 SPEEDS WITH CABLES   | PZ   | 1     |
| 41 | RG100891    | CAVO ALIMENTAZIONE TR. 1 VEL. / FEEDER CABLE THREEPHASE 1 SPEED  | PZ   | 1     |
| 41 | RG100898    | CAVO ALIMENTAZIONE MN. 1 VEL. / FEEDER CABLE SINGLEPHASE 1 SPEED | PZ   | 1     |
| 42 | RG100893    | CAVO PULSANTIERA MICRO 1 VEL. / MICROSWITCH CABLE 1 SPEED        | PZ   | 1     |

|    |          |   |    |   |   |              |
|----|----------|---|----|---|---|--------------|
| 43 | RG100892 | CAVO MOTORE TR. 1 VEL. / <b>MOTOR CABLE 1 SPEED SINGLEPHASE</b>           | PZ | 1 | € | <b>7,00</b>  |
| 43 | RG100899 | CAVO MOTORE MN. 1 VEL. / <b>MOTOR CABLE 1 SPEED THREEPHASE</b>            | PZ | 1 | € | <b>6,00</b>  |
| 44 | RG101150 | CATENA SPIRALE / <b>SPIRAL CHAIN S16 1/2 63,5 P.+ G.</b>                  | PZ | 1 | € | <b>8,00</b>  |
| 44 | RG100928 | CATENA SPIRALE / <b>SPIRAL CHAIN S20 1/2 61 P.+ G.</b>                    | PZ | 1 | € | <b>7,50</b>  |
| 45 | RG100819 | CHIAVETTA / <b>KEY 8x7x35</b>   | PZ | 2 | € | <b>1,00</b>  |
| 46 | RG101012 | PIGNONE SUP. ALBERO GEN. / <b>UPPER PINION GEN. SHAFT Z31x1/2 foro 25</b> | PZ | 1 | € | <b>17,00</b> |
| 47 | RG100880 | SEEGER / <b>SEEGER E 25</b>   | PZ | 1 | € | <b>1,50</b>  |
| 48 | RG100831 | SUPPORTO / <b>HOLDER UCF 205 D. 25</b>                                    | PZ | 1 | € | <b>15,00</b> |
| 49 | RGA00174 | ALBERO GENERALE IMPAST / <b>GEN. SHAFT MIXER 16/20</b>                    | PZ | 1 | € | <b>22,00</b> |
| 50 | RG101067 | SCHIENALE IMPASTATRICE / <b>BACK SIDE MIXER S 16/20</b>                   | PZ | 1 | € | <b>12,00</b> |
| 51 | RG100997 | VITE / <b>SCREW TE M8X30 ZINC</b>   | PZ | 4 | € | <b>0,50</b>  |
| 52 | RG100071 | DADO / <b>NUT M8 ZINC</b>   | PZ | 4 | € | <b>0,50</b>  |
| 53 | RG100849 | DADO / <b>NUT M10 ZINC</b>  | PZ | 8 | € | <b>0,50</b>  |