

# MAR 128

## Modular Ice Machine 1000 kg

Item #:
Project:
Quantity:



### FEATURES

- Scale ice machine, in "split system" version; built-in unit. Storage bin not supplied, to be purchased separately.
- To be connected to condensing unit or central cooling system (low temperature).
- AISI304 Stainless steel evaporator and ice scraper blade. Redesigned evaporator compartment end-walls.
- Foodgrade ABS plastic water sump tray, easy remove for cleaning and sanitising.
- Electromechanical control panel. Electrical protections, rotation speed & reverse phase controls.
- Low- water sensor protection. Storage bin thermostatic ice level sensor. Drive motor / gear reducer with V-Belt drive.
- Stainless steel panels in scotch-brite finish, with rounded corners, easy to remove for maintenance.
- Supplied w/expansion valve, solenoid valve, pressure regulating valve (KVP), heat exchanger.



MAR 128  
Scale ice  
Residual water content 2%  
Thickness 1 or 2 mm

### CONDENSING SYSTEM

SPLIT

### REFRIGERANT GAS

R404A  
R452A

### VOLTAGE V/Hz/ph

230/60/1  
400/50/3N  
400/60/3N

### RECOMMENDED BINS

Head	Bins		kg
MAR 128	●	UBH1100	553
	●	UBH1600	812
	●	UBH2250	1068
	●	SIS700	318 + 73
	●	SIS1350	613 + 73 + 73

#### LEGEND:

- ✓ : Perfect combination between ice maker and bin
- : Ice chute cut-out performed upon installation
- CBTxxxxxxx : need additional bin top

### CERTIFICATIONS



### OPERATING REQUIREMENTS

	Minimum	Maximum
Air temperature	10	43
Water temperature	5	38
Water pressure	1 bar (14 psi)	5 bar (70 psi)
Electrical voltage	-10	+10

**IMPORTANT NOTICE:**  
Models and specifications are subject to change without notice. This spec sheet is meant for commercial purpose only. For technical documentation please refer to our service manuals.

Download our free **App Scotsman Ice**  
Apple store  
Google play  
Windows store



[www.scotsman-ice.it](http://www.scotsman-ice.it)  
[www.scotsman-ice.com](http://www.scotsman-ice.com)

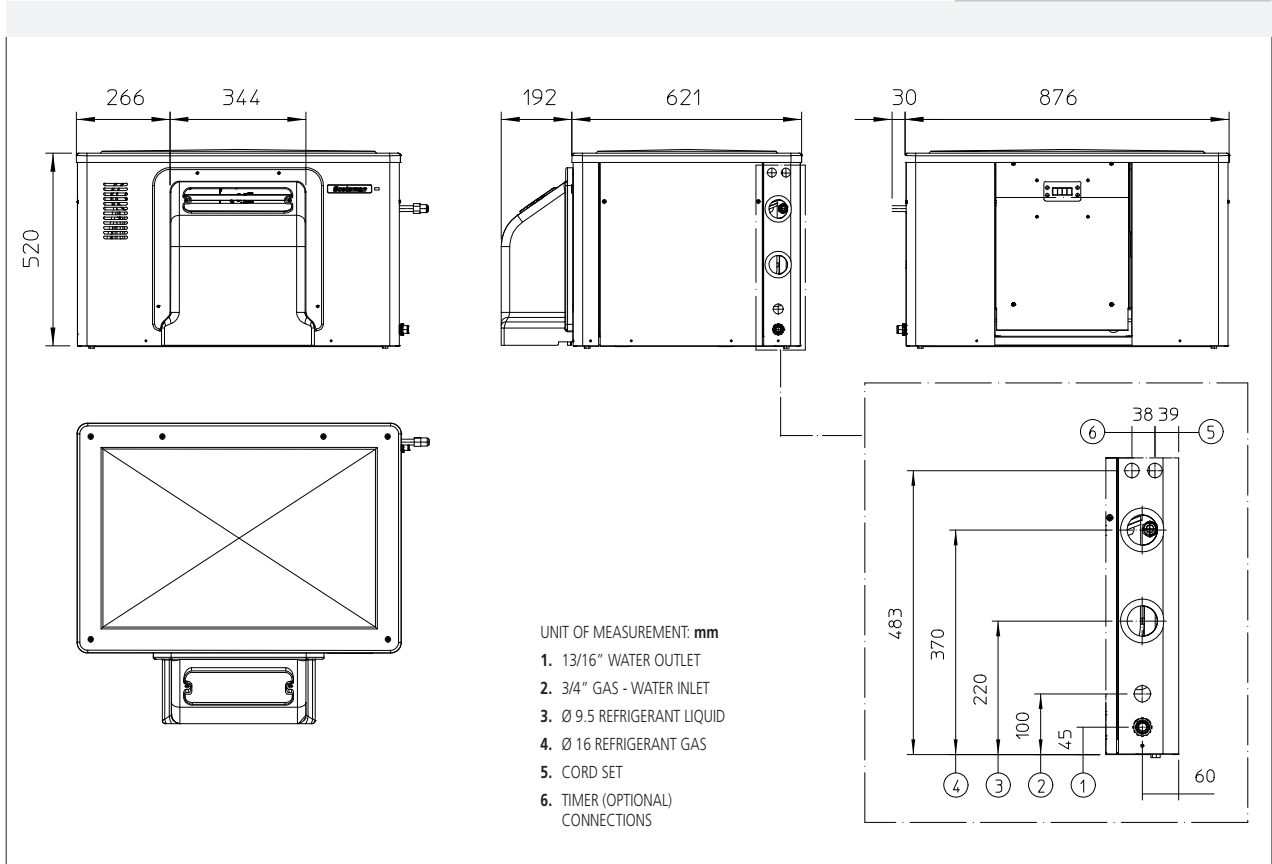
Modular Ice Machine 1000 kg

# MAR 128

## Modular Ice Machine 1000 kg

Item #:
Project:
Quantity:

Modular Ice Machine 1000 kg



UNIT DATA		SHIPPING DATA		All data refer to R404A refrigerant models											
Size (W x D x H)		906 x 813 x 520 mm		Carton (W x D x H)		980 x 740 x 680 mm									
Net weight		95 kg		Weight		112 kg									
Version	Voltage	24 h ice production kg °C Amb. / °C Water						Energy consumption (*)		Water usage (*)	Instant power	Compressor	Circuit wires	Max. fuse size	
		10°C/10°C		21°C/10°C		32°C/21°C		kWh/100 kg	kWh/24h	l/h	W	W	No. x 0mm²	A	
MAR 128 SPLIT	400/50/3N	n.a.	1000	n.a.	0	n.a.	0	1.2	9.6	32.5	395	5650	5 x 1.5	10	
MAR 128 SPLIT SW	400/50/3N	n.a.	850	n.a.	0	n.a.	0	1.2	9.6	32.5	395	5650	5 x 1.5	10	
MAR 128 SPLIT	230/60/1	n.a.	0	n.a.	0	n.a.	0	1.2	9.6	32.5	395	5650	3 x 2.5	10	
MAR 128 SPLIT	400/60/3N	n.a.	0	n.a.	0	n.a.	0	1.2	9.6	32.5	395	5650	5 x 2.5	10	
Compressor:		(Te -24.0°C; Tc +40.0°C)													
(*) Data refer to 32°C Amb. / 21°C Water temperature conditions															