

# Apach

## COOK *line*

Catalogo parti di ricambio valido  
dalla matricola 0000001 (31.10.2006) ad oggi (28.02.2023)

Catalogue pieces detachees  
valable à partir du numero de Série n. 0000001 (31.10.2006) jusqu'à aujourd'hui  
(28.02.2023)

Ersatzteilkatalog  
gültig ab Serien-Nr. 0000001 (31.10.2006) bis heute (28.02.2023)

Spare parts catalogue  
valid from serial no. 0000001 (31.10.2006) up today (28.02.2023)

Catálogo de peças de reposição  
válido do número de série 0000001 (31.10.2006) até hoje (28.02.2023)

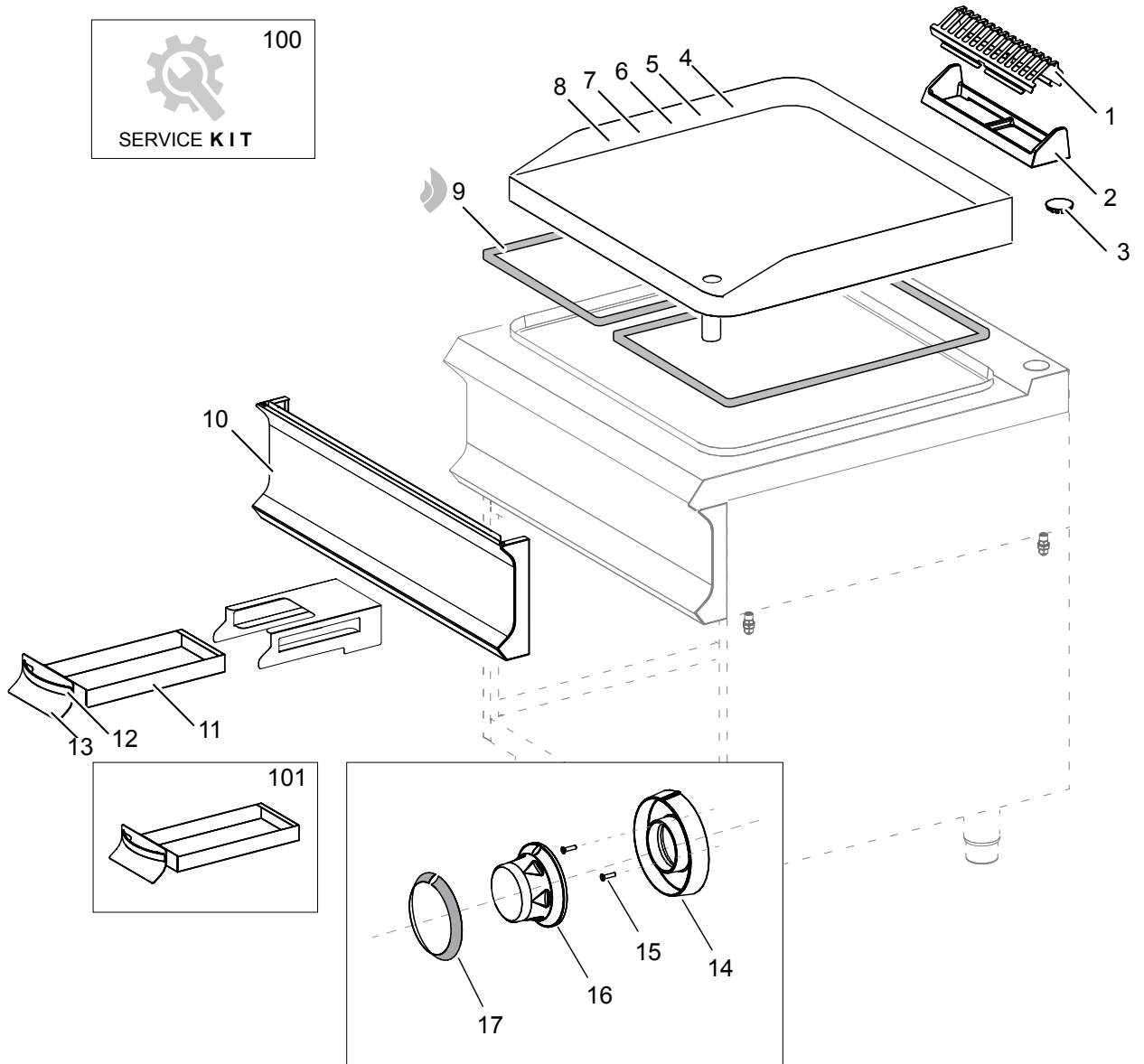
Le informazioni sono considerate non vincolanti. Le immagini rappresentate sono puramente indicative. Il produttore si riserva il diritto di apportare modifiche in qualsiasi momento senza preavviso.

Les informations données ne sont pas contraignantes. Les images montrées sont à titre indicatif. Le producteur se réserve le droit d'apporter des modifications sans préavis.

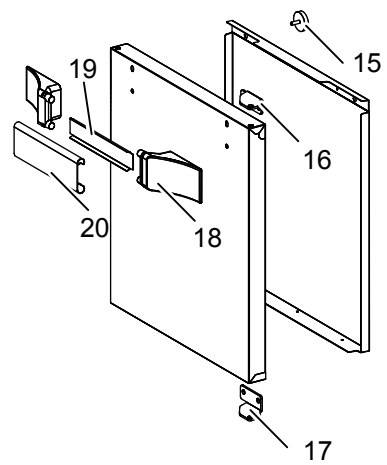
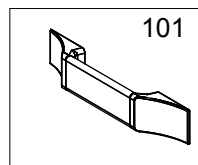
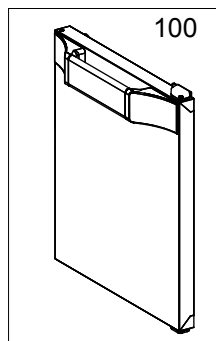
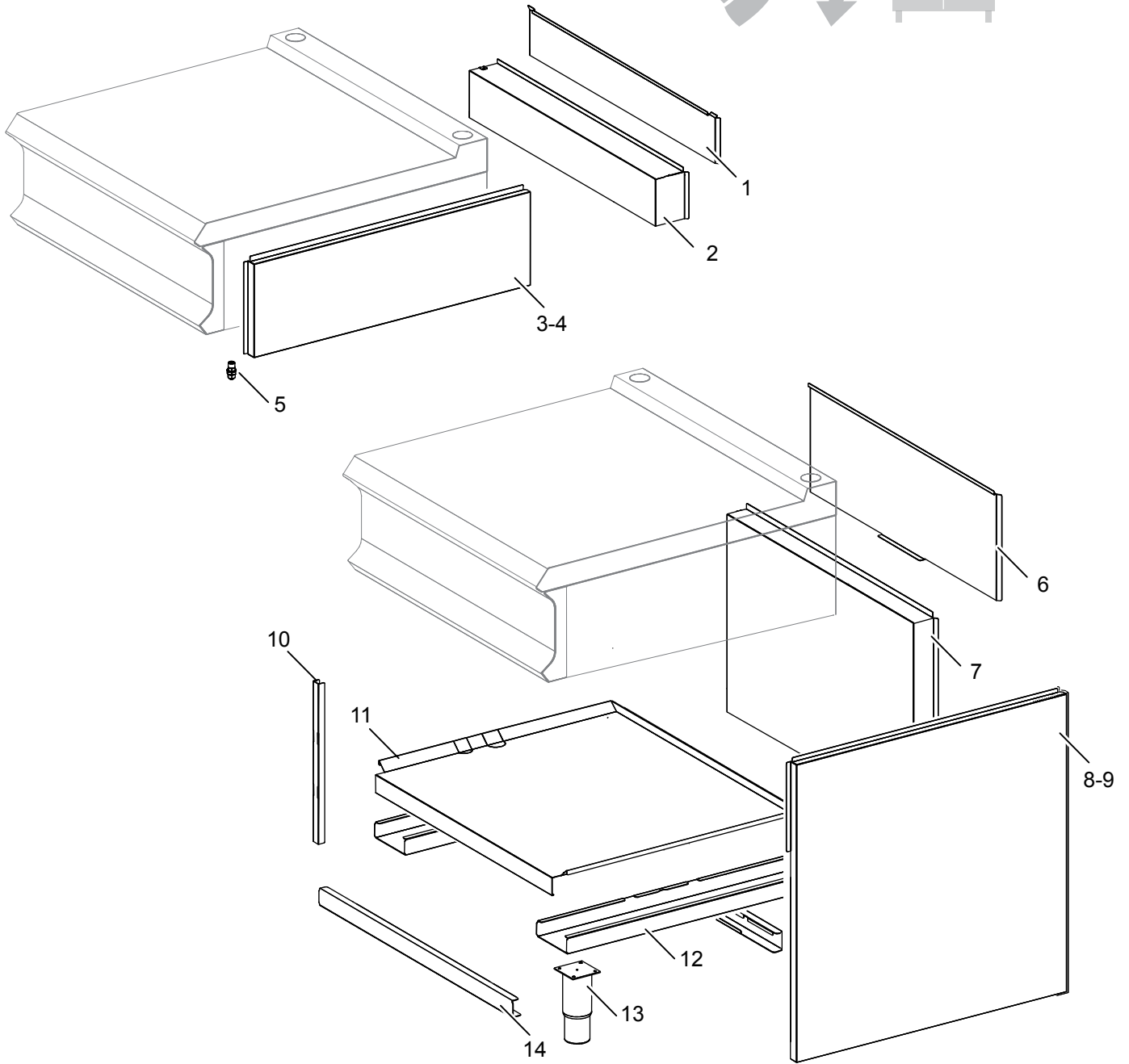
Die im vorliegenden Dokument aufgeführten Informationen und Bilder sind unverbindlich. Der Hersteller behält sich das Recht vor, jederzeit ohne vorherige Ankündigung Änderungen vorzunehmen

Info and drawing could be slightly different from reality and they cannot be considered as compelling. Manufacturer can modify info anytime without forewarning.

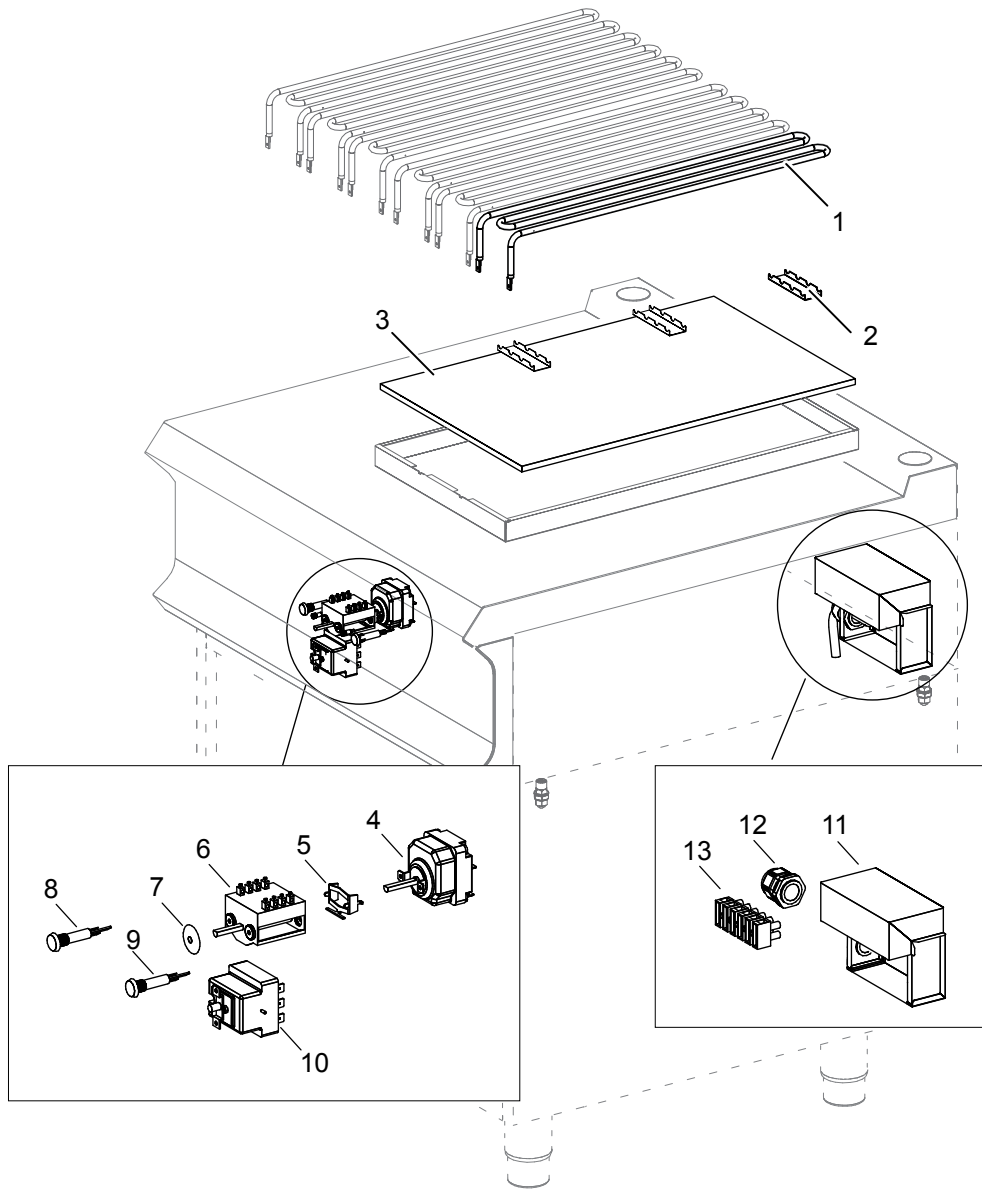
As Informações e desenhoS podem estar um pouco diferente da realidade e são puramente indicativas. O fabricante pode modificar estas informações a qualquer momento sem aviso prévio.



<b>Nr.</b>	<b>Code</b>	<b>Title</b>	<b>Recommended</b>
1.	202046	CHIMNEY GRILL	
4.	203972	SMOOTH HOB	
5.	203973	SMOOTH CHROMED HOB	
6.	203974	RIBBED HOB	
7.	203975	1/3RIBBED 2/3SMOOTH HOB	
8.	203976	1/3RIBBED 2/3SMOOTH CHROME HOB	
10.	203868	CONTROL PANEL	
11.	203182	OIL DRAWER	
12.	160270	HANDLE SATIN NICKEL	
13.	203869	OIL DRAWER EXTERNAL PANEL	
16.	202200	COMMUTATOR KNOB	
17.	200344	THERMOSTAT RING	
100.	ECS9029	RECOMMENDED PARTS FOR MFTE94-98	
101.	RIC0005135	OIL DRAWER COMPLETE	



<b>Nr.</b>	<b>Code</b>	<b>Title</b>	<b>Recommended</b>
6.	200470	<i>HIGH REAR</i>	
7.	200469	<i>REAR LOWER</i>	
8.	201556	<i>RIGHT SIDE</i>	
9.	201557	<i>LEFT SIDE</i>	
11.	201652	<i>REMOVABLE LOWER FLOOR</i>	
12.	201554	<i>CROSS FEET</i>	
13.	RTCU700277	<i>FOOT</i>	
14.	200467	<i>FRONT-REAR CROSS MEMBER</i>	



<b>Nr.</b>	<b>Code</b>	<b>Title</b>	<b>Recommended</b>
1.	202654	HEATING ELEMENT 2KW	✓
2.	PABF900131	PLATE	
3.	182482	INSULATING PANEL	
4.	RTCU600067	WORKING THERMOSTAT	✓
5.	RTBF900037	LOW BRACKET COMMUTATOR/THERMOSTAT	✓
6.	RTBF900007	COMMUTATOR	✓
7.	RTCU800185	GASKET FOR COMMUTATOR ROD	✓
8.	166465	GREEN WARNING LIGHT	✓
9.	166466	ORANGE LAMP LIGHT	✓
10.	RTCU800152	SAFETY THERMOSTAT	✓
11.	201571	CABINET TERMINAL BLOCK PROTECTION	
12.	RTBF800138	CHOCK	
13.	RTBF900045	TERMINAL BOARD	